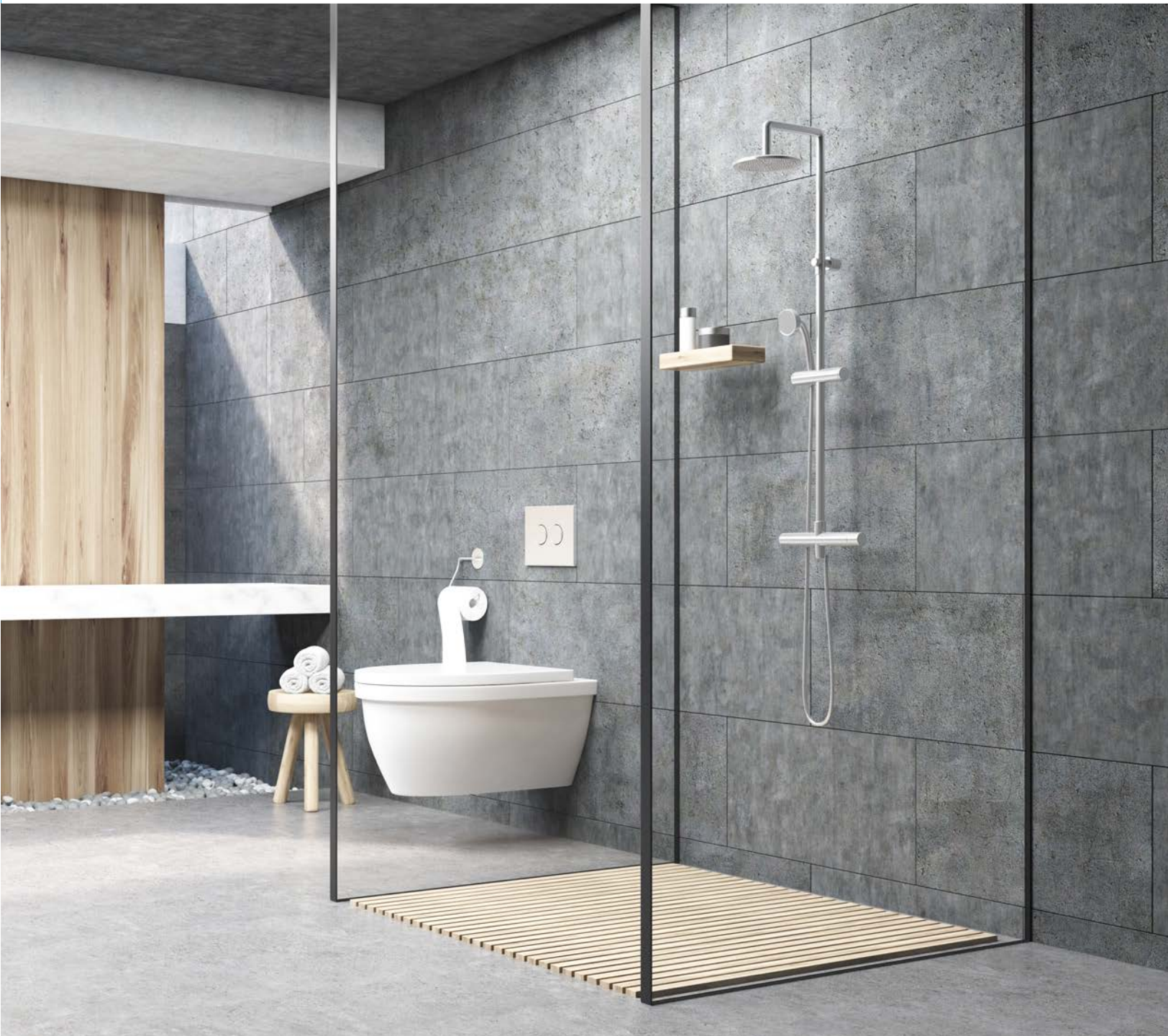


# Frameless Shower & Bathroom Hardware

## Product Catalogue



This publication is copyright protected. All rights reserved. The use of texts and images, even in part, without the express written permission of Moneygall Glazing Accessories Ltd, is a copyright violation and may be liable to prosecution.

All information in this publication was checked with the greatest care. Moneygall Glazing Accessories Ltd, do not assume any liability for possible damage or expense occurring in connection with the content of this catalogue. All liabilities for any possible typographical error or mistakes are excluded. We reserve the right to make continuous modifications without notification.

### Copyright © Moneygall Glazing Accessories Ltd.

	Republic of Ireland (Head Office)	United Kingdom (Sales Office)
Phone:	0505 45125	0800 975 3436
Fax:	0505 45345	00 353 505 45345
Web:	<a href="http://www.glassparts.ie">www.glassparts.ie</a>	<a href="http://www.glassparts.co.uk">www.glassparts.co.uk</a>
Email:	<a href="mailto:sales@glassparts.ie">sales@glassparts.ie</a>	<a href="mailto:sales@glassparts.co.uk">sales@glassparts.co.uk</a>
Address:	Lisbunny Industrial Estate, Lisbunny, Nenagh, Co. Tipperary.	Kemp House, 152 City Road, London. EC1V 2NX

GlassParts is a trading name in the Republic of Ireland and the United Kingdom for Moneygall Glazing Accessories Ltd, a registered company in the Republic of Ireland. Company registration number 133874.

## SHOWER DOOR HINGES



## The Shannon Range

Page 5

The most popular shower hinge suite in the range. Beautifully finished and economical. This suite also includes a fully adjustable suite of hinges.



## The Shannon SQ Range

Page 10

A modern twist on the most popular shower suite of hinges but with sharper and a more straight line finish.



## Matte Black Range

Page 13

A selection of hinges, fixed brackets and more, in a beautiful matte black finish.



## The Amazon Range

Page 20

The luxury range of bespoke shower door hinges. This design means that there are no fixings shown on any side.



## The Seine Range

Page 23

The smallest shower hinge in the range. Suitable for smaller shower enclosures and up to a maximum of 8mm thick glass.



## Shower Hinges - The Thames Range

Page 25

This suite of hinges can be mounted on the corners or within the glass panels.



## Drill Only Hinges

Page 27

For the erection and assembly of bespoke frameless glass shower and wet room solutions. Drill holes only needed in the glass and not cut-outs like the other ranges.



## G-Tech Frameless Door System

Page 30

Suitable for 8mm to 10mm thick glass. This range of glass fittings can be used to give that rugged, industrial look to your shower enclosure.

## SLIDING SHOWER DOOR SYSTEM



## Cascade Sliding Shower Door Systems

Page 35

High quality sliding shower door system available in polished & satin stainless steel as well as the contemporary & sophisticated matte black. Suitable For 8mm - 10mm thick glass.



## Brisa 160 Sliding Door System

Page 38

Aluminium sliding door system with built in soft close function. Suitable for use in shower areas.




## G-Tech Sliding Door System

Page 42


High quality stainless steel sliding door system suitable for use in shower applications. Suitable for 10 - 12mm thick glass.

## SHOWER HARDWARE



**Shower Door Knobs** Page 50

A selection of different knobs to suit your requirements. Different finishes available.



**Shower Door Handles & Pulls** Page 56

A diverse collection of handles, pull bars and towel rails of all different sizes and finishes.



**Support Bar Hardware & Kits** Page 63

Everything you need to create a personalised shower unit. Square and round support bar options available.




**Fixed Panel Floor To Ceiling Posts** Page 78

Modern, sleek design, that is quick and simple to use. Suitable for 8mm or 10mm thick glass.




**Shower Seals & Thresholds** Page 82

Suitable for 6mm to 12mm thick glass. Easy to use and cut to size. Perfect for shower doors.



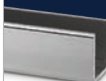
**Fixed Panel Brackets** Page 90

Fixed panel brackets manufactured using stainless steel or brass. Available in different styles and finishes. Suitable for 6mm to 12mm thick glass.



**Glass Cubicle Systems** Page 98


Everything you need to create a beautifully personalised glass shower or toilet cubicle for private or public use. Commonly used in gyms and commercial projects.



**U Profiles & Trims** Page 109


For the easy and quick mounting of fixed glass panels from 6mm to 12mm thick glass. Suitable for use with silicone or a gasket in some profiles.

## MIRROR AND GLASS FIXING AND HANGING




**Mirror Fixing & Installation** Page 117

Everything you need when fixing, framing or hanging mirrors. From mirror adhesive to screws and more.



**Demista Pads** Page 131

No more blurred or smeary mirrors, just flick a switch and see your reflection crystal clear. Simple to fit, low cost and economical to run.

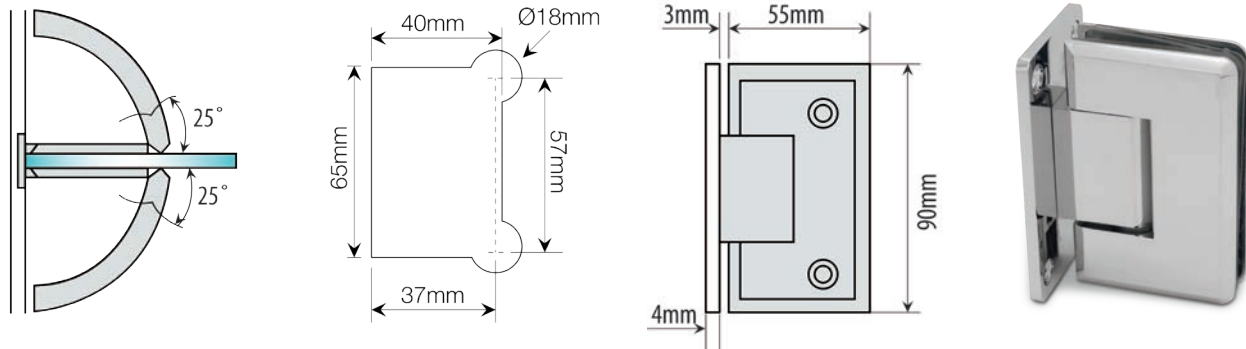


**Glass Shelving** Page 133

Everything you need for glass shelving. Suitable for materials from 3mm all the way to 40mm thick.



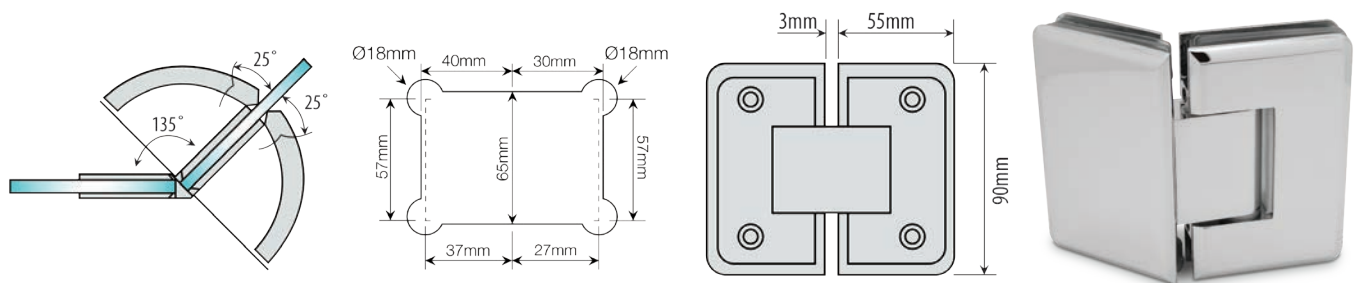
# Shower Door Hinges



### Wall to Glass Shower Hinge

Self closing from 25° in either direction. Suitable for glass 8mm to 12mm thick. Manufactured from high quality brass with a max weight of up to 45kg per pair. Complete with Stainless Steel screws and wall plugs.

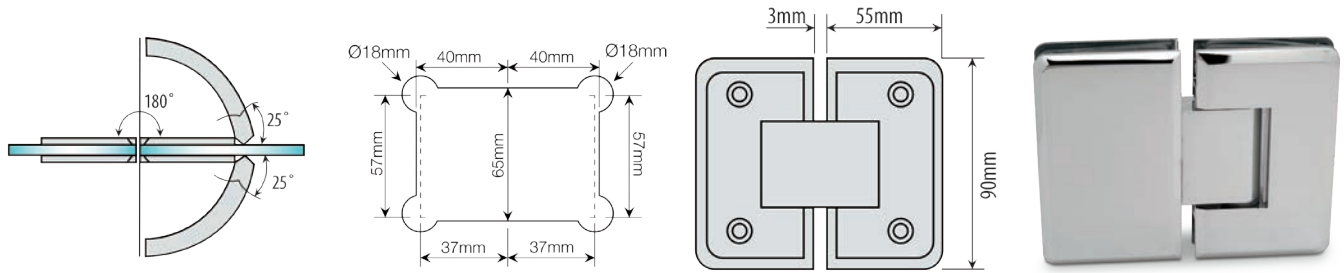
Description	Finish	Code	Unit of Sale
Wall to Glass Shower Hinge	Polished Chrome	JHI301PC	Each
Wall to Glass Shower Hinge	Satin Chrome	JHI301SC	Each



### 135° Glass to Glass Shower Hinge

Self Closing from 25° in either direction. Suitable for glass 8mm to 12mm thick. Manufactured from high quality brass with a max weight up to 45kg per pair.

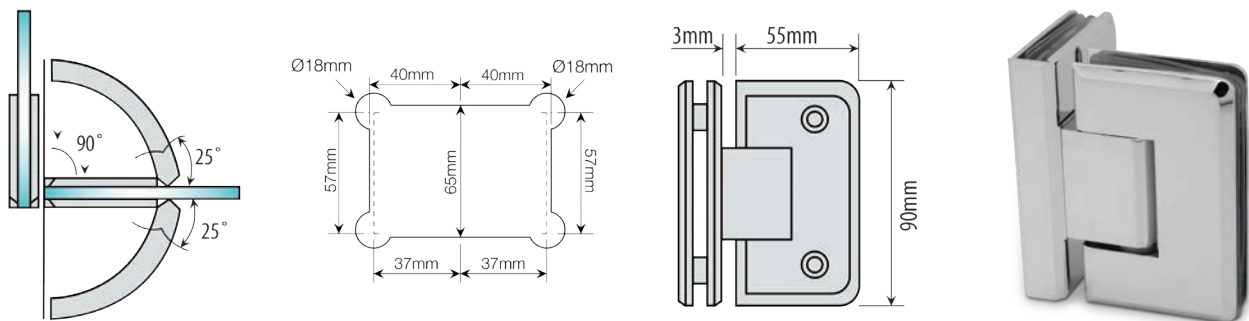
Description	Finish	Code	Unit of Sale
135° Glass to Glass Shower Hinge	Polished Chrome	JHI302PC	Each
135° Glass to Glass Shower Hinge	Satin Chrome	JHI302SC	Each



### 180° Glass to Glass Shower Hinge

Self Closing from 25° in either direction. Suitable for glass 8mm to 12mm thick. Manufactured from high quality brass with a max weight up to 45kg per pair.

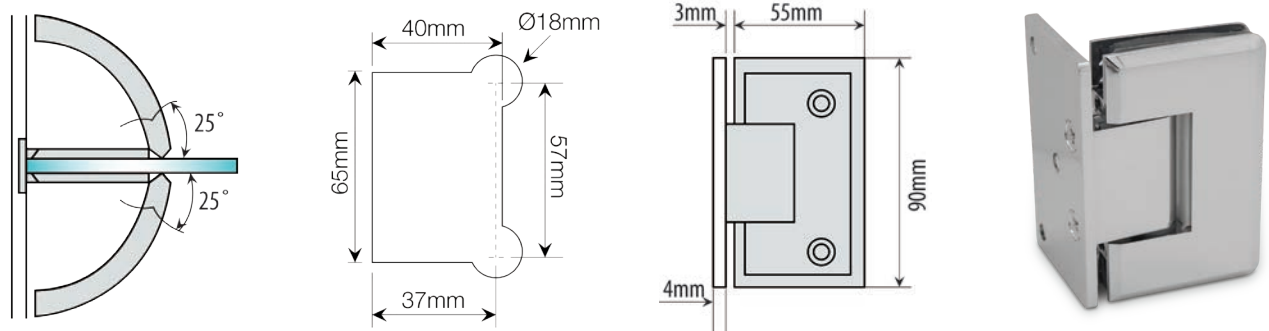
Description	Finish	Code	Unit of Sale
180° Glass to Glass Shower Hinge	Polished Chrome	JHI303PC	Each
180° Glass to Glass Shower Hinge	Satin Chrome	JHI303SC	Each



### 90° Glass to Glass Shower Hinge

Self Closing from 25° in either direction. Suitable for glass 8mm to 12mm thick. Manufactured from high quality brass with a max weight up to 45kg per pair.

Description	Finish	Code	Unit of Sale
90° Glass to Glass Shower Hinge	Polished Chrome	JHI304PC	Each
90° Glass to Glass Shower Hinge	Satin Chrome	JHI304SC	Each

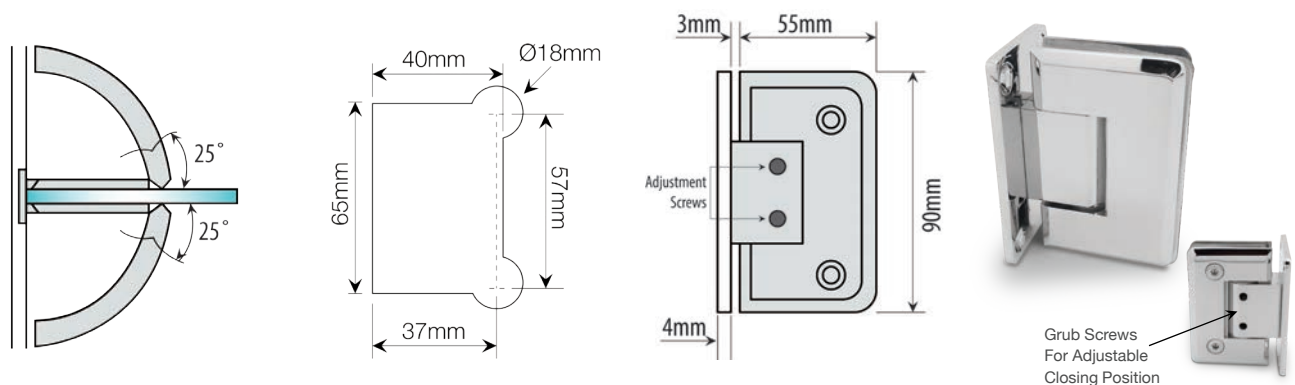


### Single Wing Wall to Glass Shower Hinge

Self Closing from 25° in either direction. Suitable for glass 8mm to 12mm thick. Manufactured from high quality brass with a max weight up to 45kg per pair.

Description	Finish	Code	Unit of Sale
Single Wing Wall to Glass Shower Hinge	Polished Chrome	JHI305PC	Each
Single Wing Wall to Glass Shower Hinge	Satin Chrome	JHI305SC	Each

### The Shannon Adjustable Range

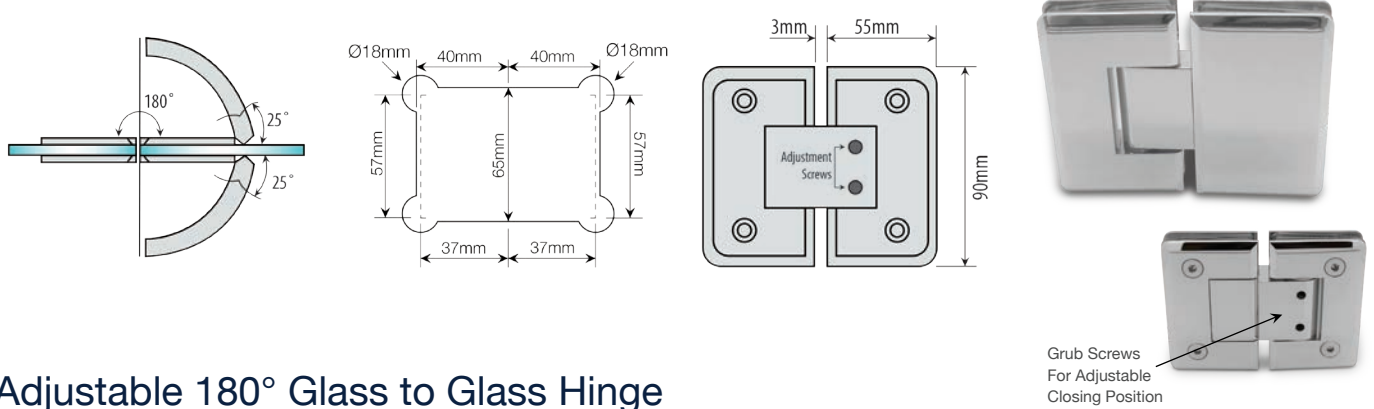


### Adjustable Wall to Glass Shower Hinge

Self closing from 25° in either direction. The adjustment function allows for a variable closing position to cater for odd shape enclosures or not 100% true mounting surfaces. Suitable for glass 8mm to 12mm thick. Manufactured from high quality brass with a max weight of up to 45kg per pair. Complete with Stainless Steel screws and wall plugs.

Description	Finish	Code	Unit of Sale
Adjustable Wall to Glass Shower Hinge	Polished Chrome	JHI301PC-ADJ	Each
Adjustable Wall to Glass Shower Hinge	Satin Chrome	JHI301SC-ADJ	Each

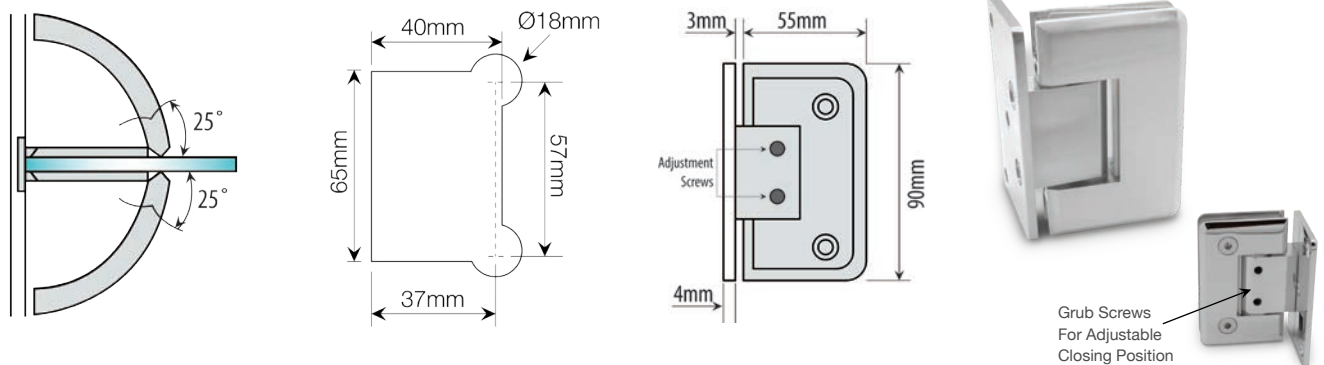




### Adjustable 180° Glass to Glass Hinge

Self closing from 25° in either direction. The adjustment function allows for a variable closing position to cater for odd shape enclosures. Suitable for glass 8mm to 12mm thick. Manufactured from high quality brass with a max weight of up to 45kg per pair.

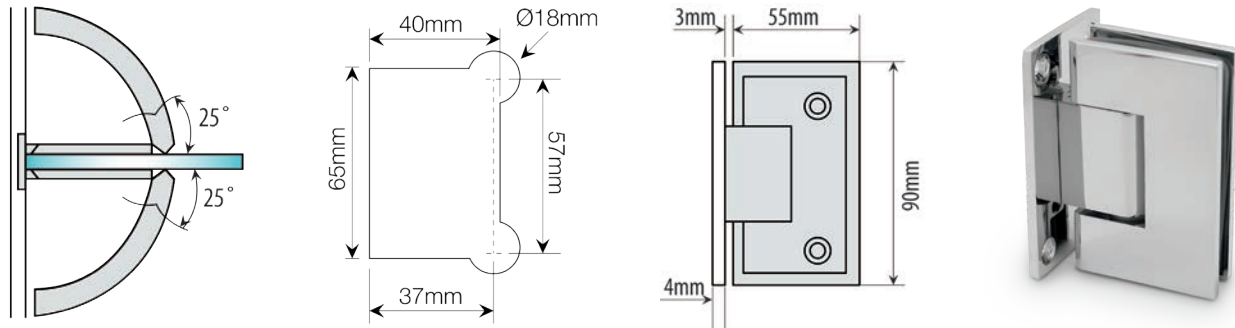
Description	Finish	Code	Unit of Sale
Adjustable 180° Glass to Glass Shower Hinge	Polished Chrome	JHI303PC-ADJ	Each
Adjustable 180° Glass to Glass Shower Hinge	Satin Chrome	JHI303SC-ADJ	Each



### Adjustable Single Wing Wall to Glass Hinge

Self closing from 25° in either direction. The adjustment function allows for a variable closing position to cater for odd shape enclosures or not 100% true mounting surfaces. Suitable for glass 8mm to 12mm thick. Manufactured from high quality brass with a max weight of up to 45kg per pair. Complete with Stainless Steel screws and wall plugs.

Description	Finish	Code	Unit of Sale
Adjustable Single Wing Wall to Glass Hinge	Polished Chrome	JHI305PC-ADJ	Each
Adjustable Single Wing Wall to Glass Hinge	Satin Chrome	JHI305SC-ADJ	Each

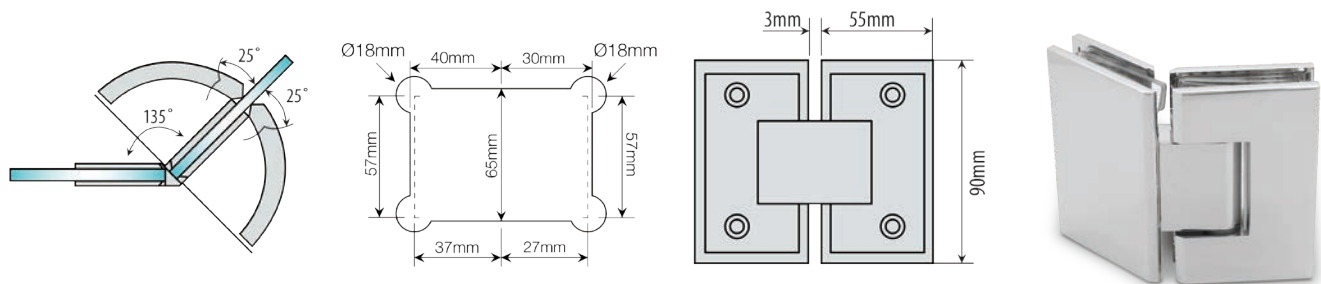


### Wall to Glass Shower Hinge

Self closing from 25° in either direction. Suitable for glass 8mm to 12mm thick. Manufactured from high quality brass with a max weight of up to 45kg per pair. Complete with Stainless Steel screws and wall plugs.

Square  
Support Bars  
on pages  
75 to 77

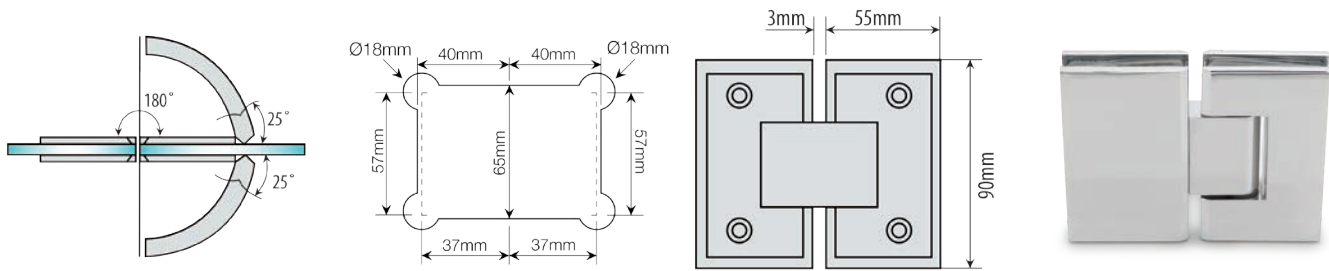
Description	Finish	Code	Unit of Sale
Wall to Glass Shower Hinge	Polished Chrome	JHI301SQPC	Each
Wall to Glass Shower Hinge	Satin Chrome	JHI301SQSC	Each
Wall to Glass Shower Hinge	Matte Black	JHI301SQBL	Each



### 135° Glass to Glass Shower Hinge

Self Closing from 25° in either direction. Suitable for glass 8mm to 12mm thick. Manufactured from high quality brass with a max weight up to 45kg per pair.

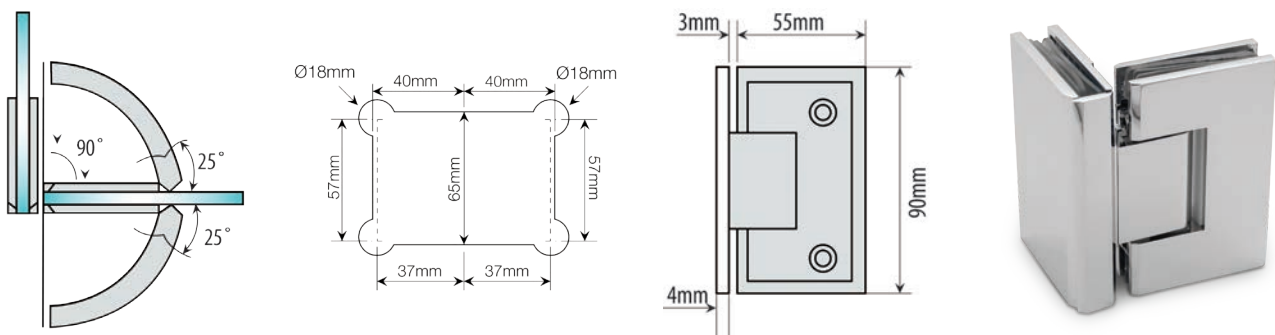
Description	Finish	Code	Unit of Sale
135° Glass to Glass Shower Hinge	Polished Chrome	JHI302SQPC	Each
135° Glass to Glass Shower Hinge	Satin Chrome	JHI302SQSC	Each
135° Glass to Glass Shower Hinge	Matte Black	JHI302SQBL	Each



### 180° Glass to Glass Shower Hinge

Self Closing from 25° in either direction. Suitable for glass 8mm to 12mm thick. Manufactured from high quality brass with a max weight up to 45kg per pair.

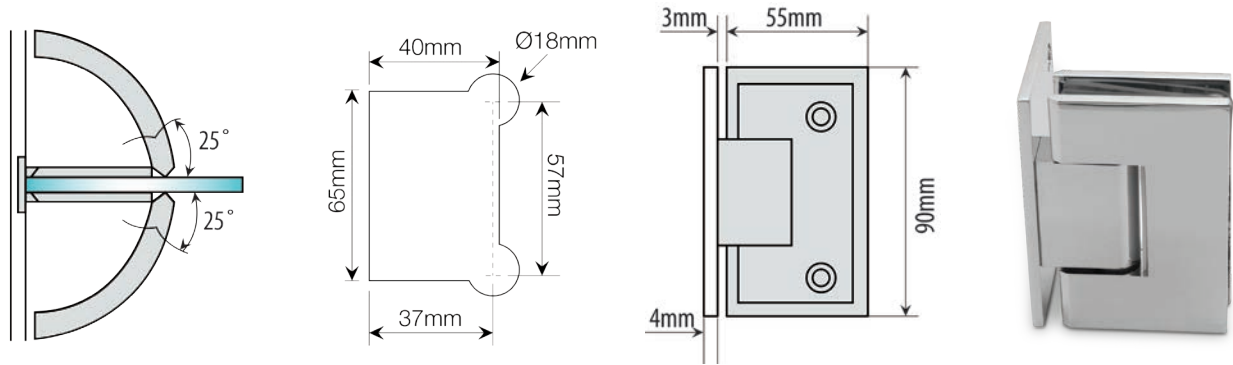
Description	Finish	Code	Unit of Sale
180° Glass to Glass Shower Hinge	Polished Chrome	JHI303SQPC	Each
180° Glass to Glass Shower Hinge	Satin Chrome	JHI303SQSC	Each
180° Glass to Glass Shower Hinge	Matte Black	JHI303SQBL	Each



### 90° Glass to Glass Shower Hinge

Self Closing from 25° in either direction. Suitable for glass 8mm to 12mm thick. Manufactured from high quality brass with a max weight up to 45kg per pair.

Description	Finish	Code	Unit of Sale
90° Glass to Glass Shower Hinge	Polished Chrome	JHI304SQPC	Each
90° Glass to Glass Shower Hinge	Satin Chrome	JHI304SQSC	Each
90° Glass to Glass Shower Hinge	Matte Black	JHI304SQBL	Each



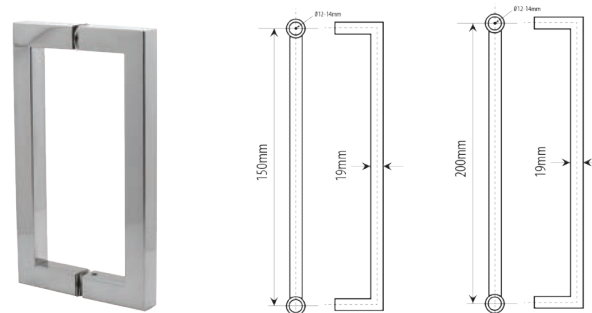
### Single Wing Wall to Glass Shower Hinge

Self Closing from 25° in either direction. Suitable for glass 8mm to 12mm thick. Manufactured from high quality brass with a max weight up to 45kg per pair.

Description	Finish	Code	Unit of Sale
Single Wing Wall to Glass Shower Hinge	Polished Chrome	JHI305SQPC	Each
Single Wing Wall to Glass Shower Hinge	Satin Chrome	JHI305SQSC	Each
Single Wing Wall to Glass Shower Hinge	Matte Black	JHI305SQBL	Each

### 150mm & 200mm Square Door Handle

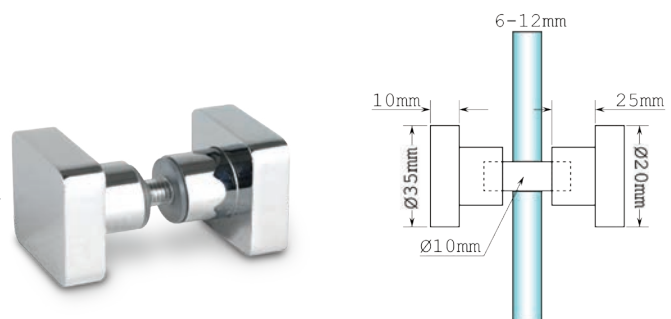
A 19mm square stainless steel handle with a horizontal length of 150mm or 200mm. 12mm to 16mm hole required in the glass.



Description	Tube	Finish	Product Code	Unit of Sale
150mm Square Door Handle	19mm Square Tube	Polished Stainless	JH01SQ150PSS	Back to Back Set
150mm Square Door Handle	19mm Square Tube	Brushed Stainless	JH01SQ150SSS	Each
200mm Square Door Handle	19mm Square Tube	Polished Stainless	JH01SQ200PSS	Back to Back Set
200mm Square Door Handle	19mm Square Tube	Brushed Stainless	JH01SQ200SSS	Each

### JKB614 Shower Door Knob

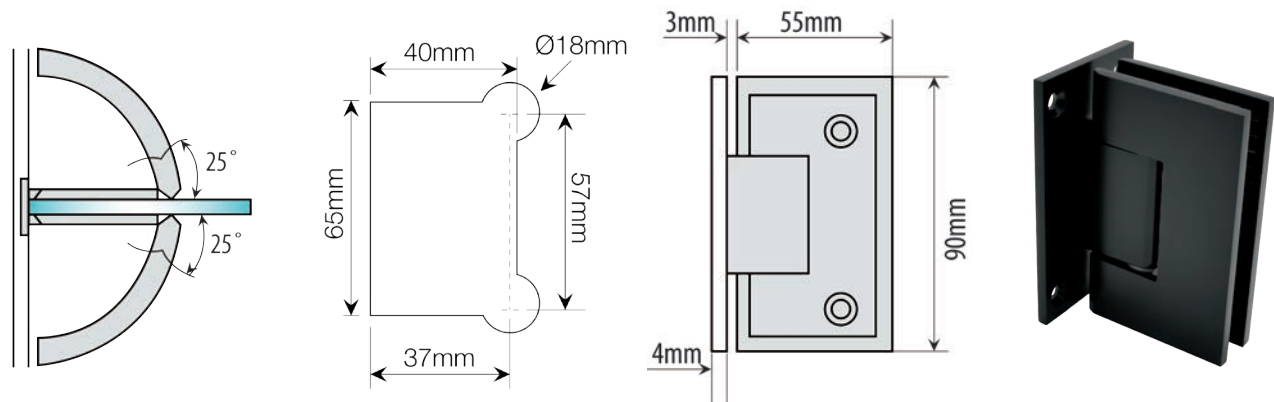
Suitable for 6mm to 12mm thick glass. 10mm drill hole required. 35mm x 35mm Knob with 25mm projection from glass for easy grip.



Description	Finish	Product Code	Unit of Sale
JKB614 Shower Door Knob	Polished Chrome	JKB614	Back to Back Set
JKB614 Shower Door Knob	Satin Chrome	JKB614SC	Back to Back Set



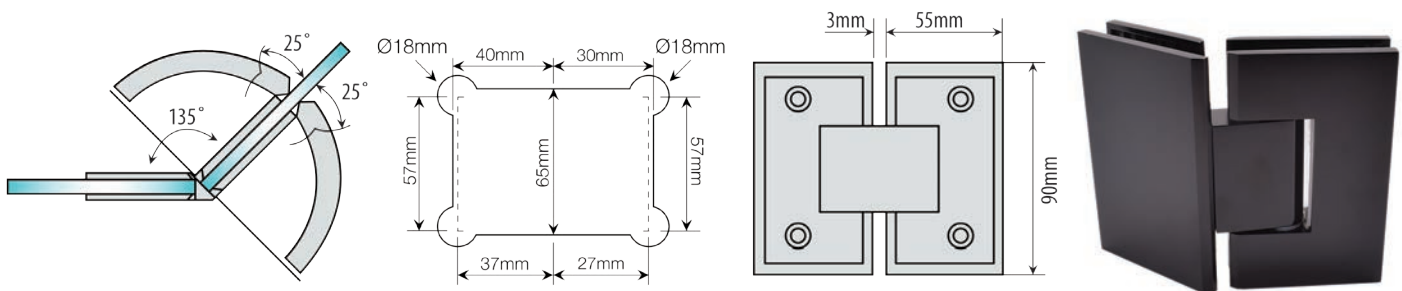
**Matte Black Range**



### Wall to Glass Shower Hinge - Matte Black

Self closing from 25° in either direction. Suitable for glass 8mm to 12mm thick. Manufactured from high quality brass with a max weight of up to 45kg per pair. Complete with Stainless Steel screws and wall plugs.

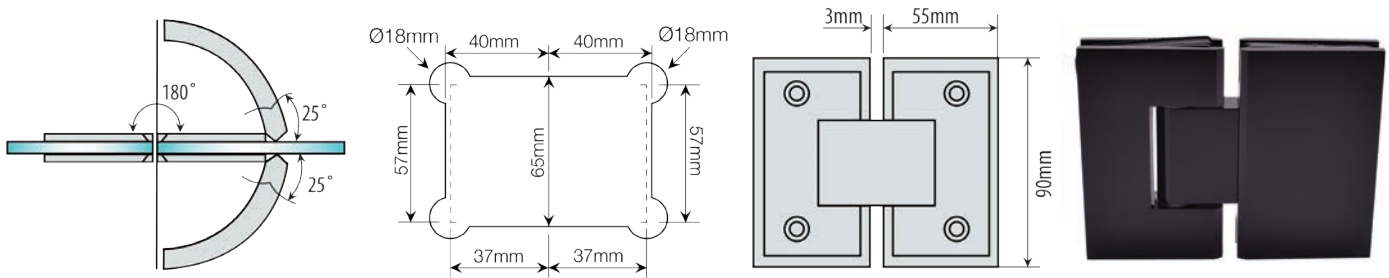
Description	Finish	Code	Unit of Sale
Wall to Glass Shower Hinge	Matte Black	JHI301SQBL	Each



### 135° Glass to Glass Shower Hinge - Matte Black

Self Closing from 25° in either direction. Suitable for glass 8mm to 12mm thick. Manufactured from high quality brass with a max weight up to 45kg per pair.

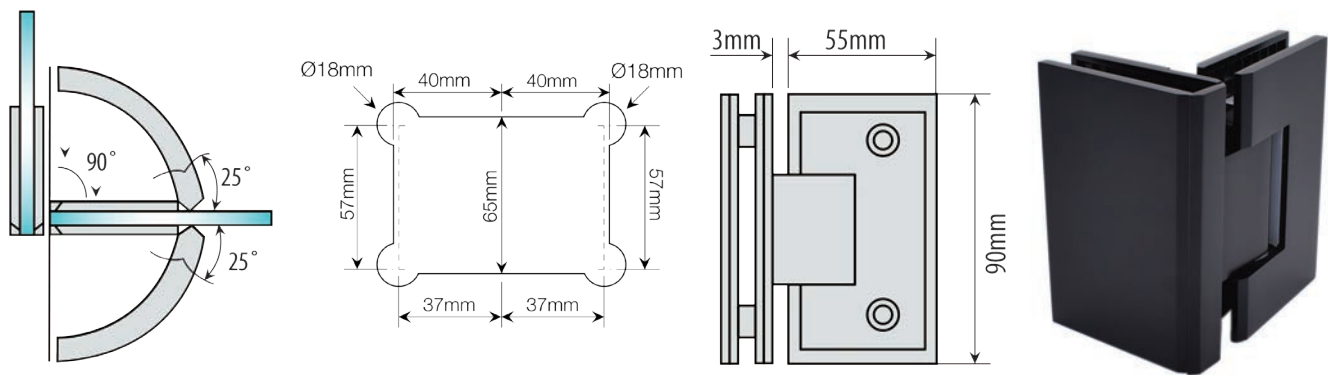
Description	Finish	Code	Unit of Sale
135° Glass to Glass Shower Hinge	Matte Black	JHI302SQBL	Each



### 180° Glass to Glass Shower Hinge - Matte Black

Self Closing from 25° in either direction. Suitable for glass 8mm to 12mm thick. Manufactured from high quality brass with a max weight up to 45kg per pair.

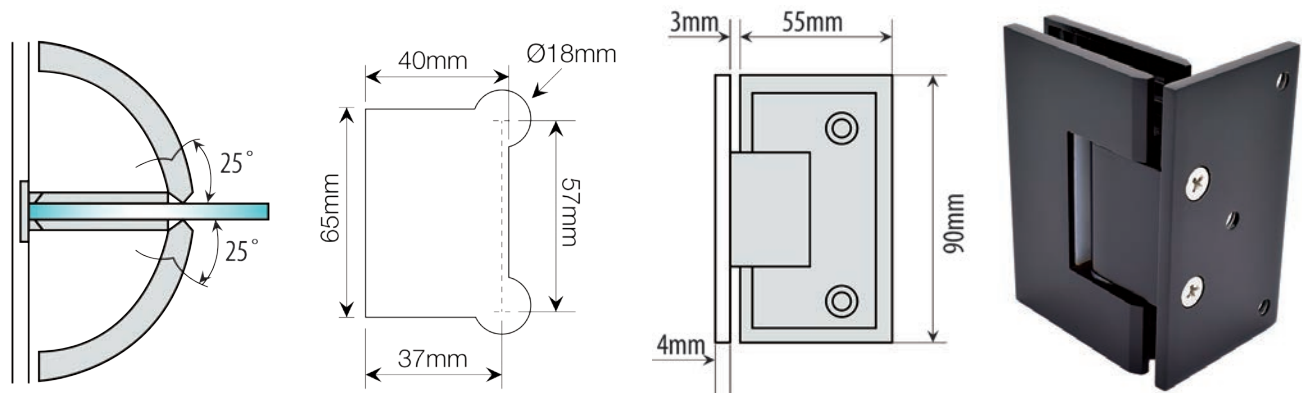
Description	Finish	Code	Unit of Sale
180° Glass to Glass Shower Hinge	Matte Black	JHI303SQBL	Each



### 90° Glass to Glass Shower Hinge - Matte Black

Self Closing from 25° in either direction. Suitable for glass 8mm to 12mm thick. Manufactured from high quality brass with a max weight up to 45kg per pair.

Description	Finish	Code	Unit of Sale
90° Glass to Glass Shower Hinge	Matte Black	JHI304SQBL	Each



### Single Wing Wall to Glass Shower Hinge - Matte Black

Self Closing from 25° in either direction. Suitable for glass 8mm to 12mm thick. Manufactured from high quality brass with a max weight up to 45kg per pair.

Description	Finish	Code	Unit of Sale
Single Wing Wall to Glass Shower Hinge	Matte Black	JHI305SQBL	Each

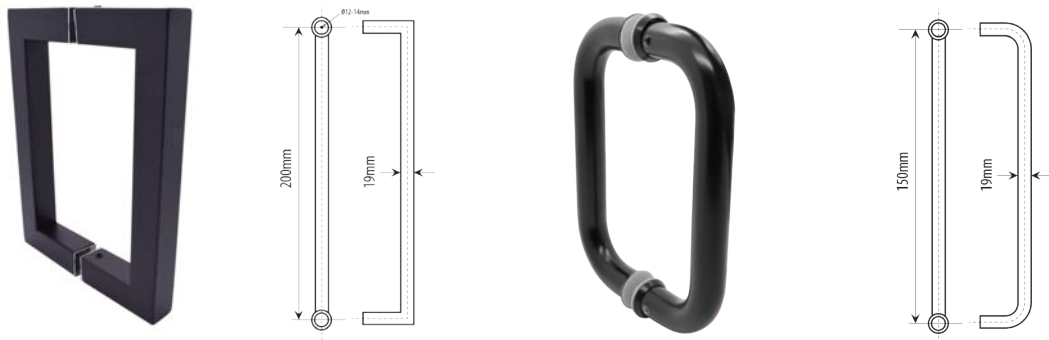


### 1200mm Square Bar with Swivel Fittings

Made from SUS 304 Stainless Steel. 1200mm long. The bar can be easily cut to suit the desired length. Supplied with swivel fittings for use on 8mm to 12mm thick glass.

Description	Finish	Code	Unit of Sale
1200mm Square Support Bar & Swivel Fittings	Matte Black	JRB224BL	Kit

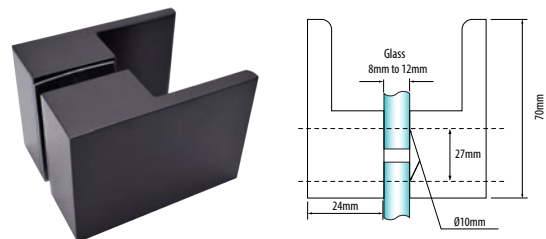




### Shower Door Handle - Matte Black

Constructed of heavy wall SUS 304 stainless steel tubing. 150mm long with a handle diameter of 19mm. 12mm to 16mm hole required in glass.

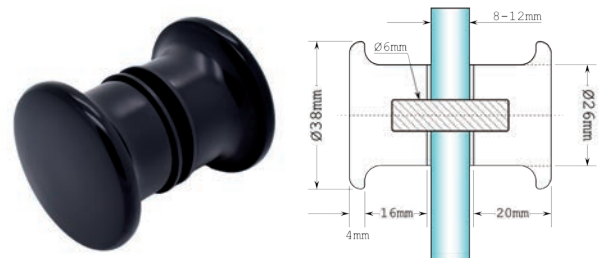
Description	Finish	Code	Unit of Sale
150mm Door Handle	Matte Black	JH01ABL	Each
150mm Door Handle	Matte Black	JH01SQ150MB	Back to Back Set
200mm Door Handle	Matte Black	JH01SQ200MB	Each



### JKB615 Paddle Style Door Pull

Suitable for 8 to 12mm thick glass. A premium quality, contemporary door pull that can be used with the pull to the side or facing downwards. Drill 2 x 10mm diameter holes 27mm apart vertically to install the pull sideways and 27mm apart horizontally to install the pull facing downwards.

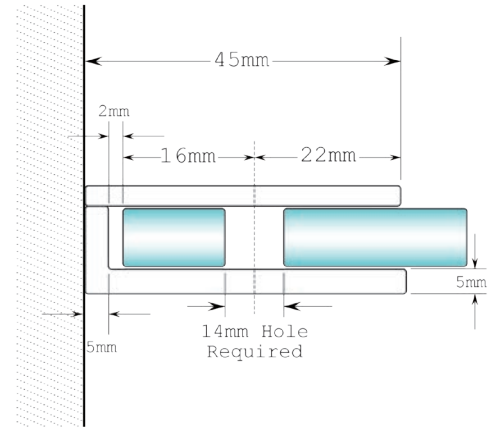
Description	Finish	Code	Unit of Sale
JKB615 Shower Door Knob	Matte Black	JKB615MB	Back to Back Set



### 38mm x 20mm Door Knob - Matte Black

38mm x 20mm knob suitable for 8mm to 12mm thick glass. 12mm drill hole required in glass.

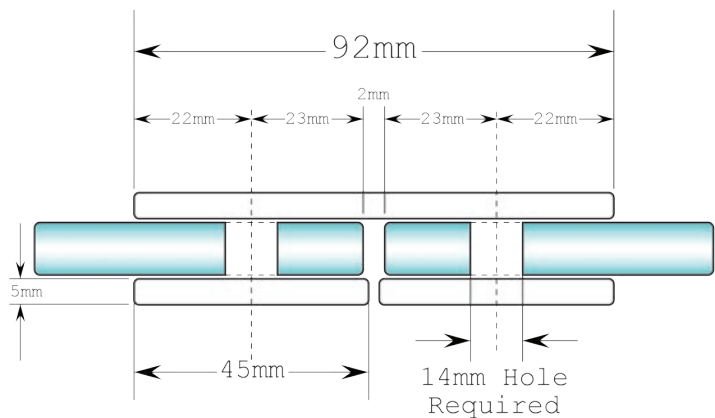
Description	Finish	Code	Unit of Sale
38mm x 20mm Shower Door Knob	Matte Black	JKB695BL	Back to Back Set



### Wall to Glass Fixing - Matte Black

Wall to glass fixing in a matte black finish. Suitable for 8mm to 12mm thick glass. 14mm hole in glass required.

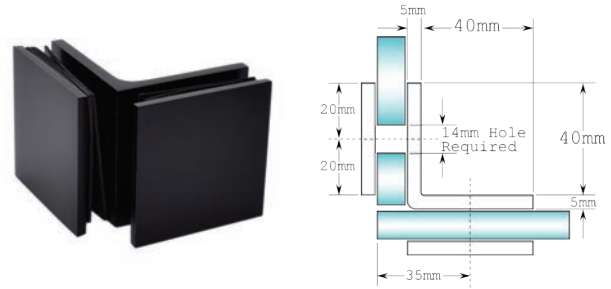
Description	Finish	Code	Unit of Sale
Wall to Glass Fixing	Matte Black	JH721SQBL	Each



### Glass to Glass Fixing - Matte Black

Glass to glass fixing in a matte black finish. Suitable for 8mm to 12mm thick glass. 14mm hole in glass required.

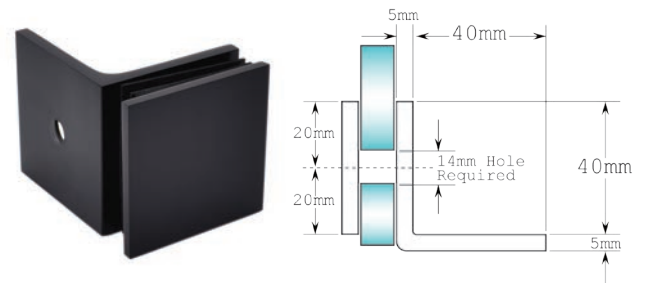
Description	Finish	Code	Unit of Sale
Glass to Glass Fixing	Matte Black	JH724SQBL	Each



### 90° Glass to Glass Fixing - Matte Black

90 degree glass to glass fixing in a matte black finish. Suitable for 8mm to 12mm thick glass. 14mm hole in glass required.

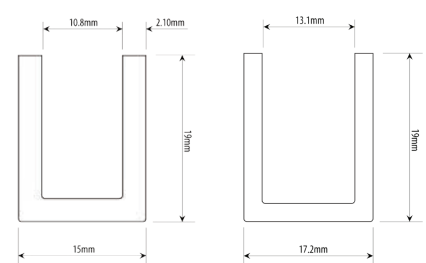
Description	Finish	Code	Unit of Sale
90° Glass to Glass Fixing	Matte Black	JH725SQBL	Each



### 90° Wall to Glass Fixing - Matte Black

90 degree wall to glass fixing in a matte black finish. Suitable for 8mm to 12mm thick glass. 14mm hole in glass required.

Description	Finish	Code	Unit of Sale
90° Wall to Glass Fixing	Matte Black	JH726SQBL	Each



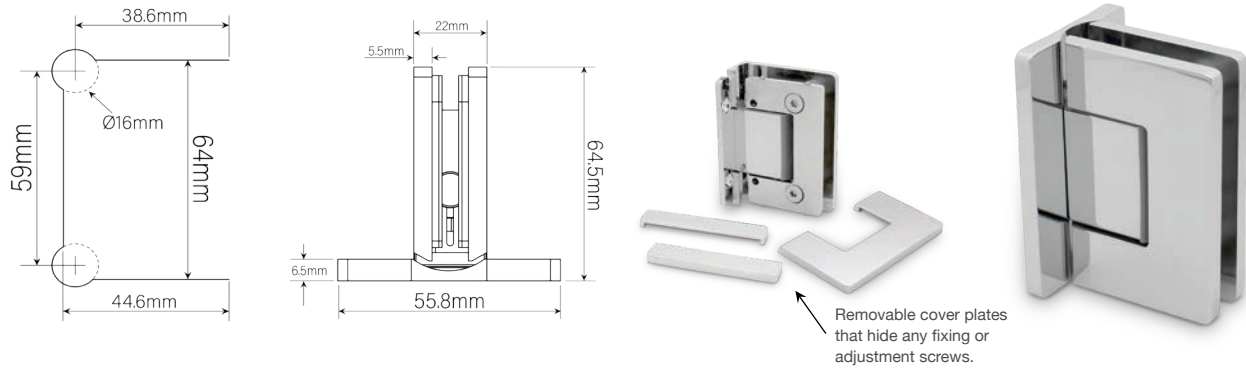
### U Channel for 10mm & 12mm Glass

Used for creating bespoke shower enclosures. The depth of the channel is ideal for disguising any discrepancy in the plumbness of the wall, allowing for the glass to be cut straight.

Description	Finish	Code	Unit of Sale
15mm U Channel for 10 mm Glass	Matte Black	G7013BL	2.41 Metre
17mm U Channel for 12 mm Glass	Matte Black	G7015BL	2.41 Metre



# The Amazon Range

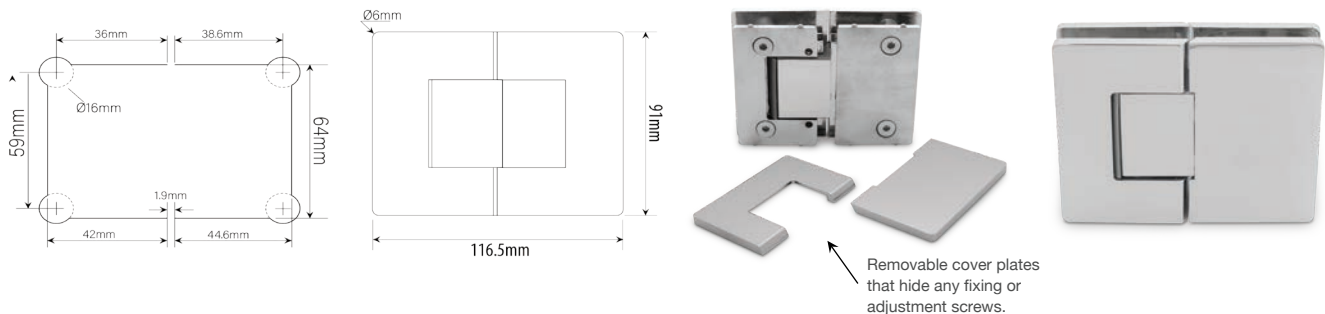


Removable cover plates that hide any fixing or adjustment screws.

### Wall To Glass Shower Hinge

Ultra modern and sleek design allowing for a fixing-less look. This hinge allows for only a 3mm gap between the glass and the wall and the closing position is adjustable. Manufactured from high quality brass and available in polished and satin chrome finish. Max Door width: 800 mm. Max Door weight: 40 Kg. Suitable for 8mm to 10mm thick glass.

Description	Finish	Code	Unit of Sale
Wall To Glass Shower Hinge	Polished Chrome	JHI401PC	Pair
Wall To Glass Shower Hinge	Satin Chrome	JHI401SC	Pair
Wall To Glass Shower Hinge	Matte Black	JHI401MB	Pair

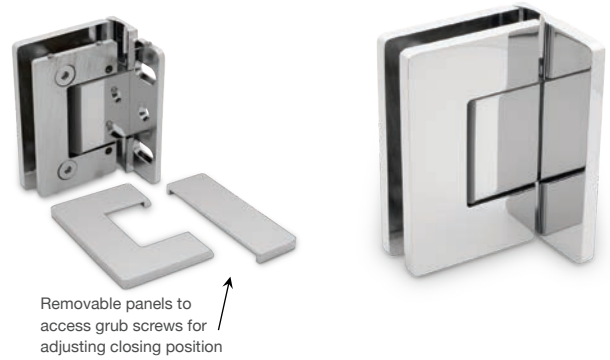
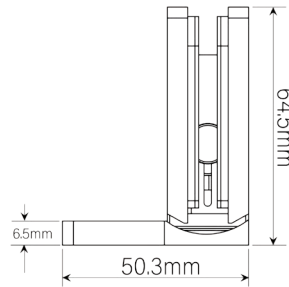
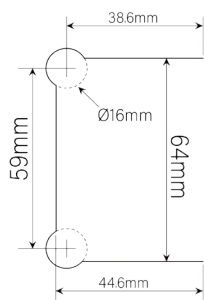


Removable cover plates that hide any fixing or adjustment screws.

### 180° Glass to Glass Shower Hinge

Ultra modern and sleek design allowing for a fixing-less look. This hinge allows for minimal gap between the glass panels and the closing position is adjustable. Manufactured from high quality brass and available in polished and satin chrome finish. Max Door width: 800 mm. Max Door weight: 40 Kg. Suitable for 8mm to 10mm thick glass.

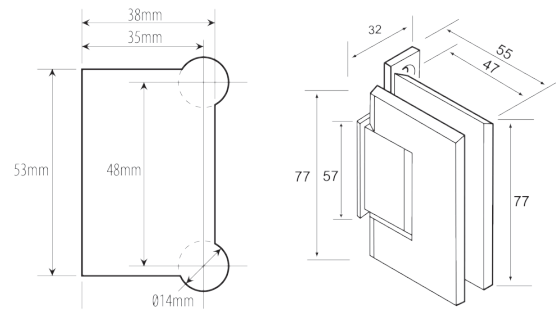
Description	Finish	Code	Unit of Sale
180° Glass to Glass Shower Hinge	Polished Chrome	JHI403PC	Pair
180° Glass to Glass Shower Hinge	Satin Chrome	JHI403SC	Pair
180° Glass to Glass Shower Hinge	Matte Black	JHI403MB	Pair



## Offset Wall To Glass Shower Hinge

Ultra modern and sleek design allowing for a fixing-less look. This hinge allows for only a 3mm gap between the glass and the wall and the closing position is adjustable. Manufactured from high quality brass and available in polished and satin chrome finish. Max Door width: 800 mm. Max Door weight: 40 Kg. Suitable for 8mm to 10mm thick glass.

Description	Finish	Code	Unit of Sale
Offset Wall To Glass Shower Hinge	Polished Chrome	JHI405PC	Pair
Offset Wall To Glass Shower Hinge	Satin Chrome	JHI405SC	Pair
Offset Wall To Glass Shower Hinge	Matte Black	JHI405MB	Pair



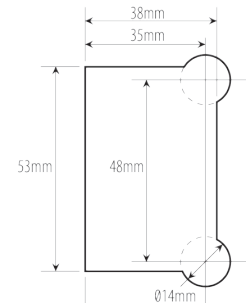
### Wall Mount Shower Hinge

Suitable for 6mm or 8mm tempered safety glass. Max. door weight of 27kg, using 2 hinges and 40kg, using 3 hinges. Max. door width of 700mm, using 2 hinges and 800mm, using 3 hinges. Complete with gaskets, stainless steel screws and wall plugs.

Description	Finish	Product Code	Unit of Sale
Wall Mount Shower Hinge	Polished Chrome	JGX680.1PC	Each

### Wall Mount Shower Hinge - One Side Fixing

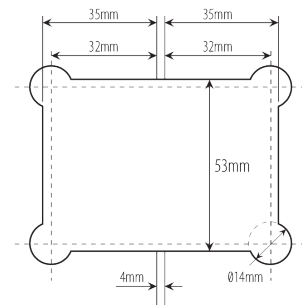
Suitable for 6mm or 8mm tempered safety glass. Max. door weight of 27kg, using 2 hinges and 40kg, using 3 hinges. Max. door width of 700mm, using 2 hinges and 800mm, using 3 hinges. Complete with gaskets, stainless steel screws and wall plugs.



Description	Finish	Product Code	Unit of Sale
Wall Mount Shower Hinge - One Side Fixing	Polished Chrome	JGX680.1BPC	Each

### 180° Glass to Glass Shower Hinge

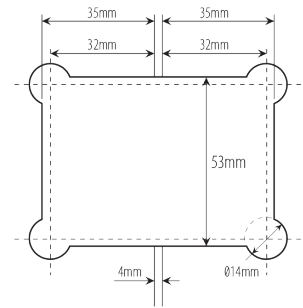
Suitable for 6mm or 8mm tempered safety glass. Max. door weight of 27kg, using 2 hinges and 40kg, using 3 hinges. Max. door width of 700mm, using 2 hinges and 800mm, using 3 hinges.



Description	Finish	Product Code	Unit of Sale
180° Glass to Glass Shower Hinge	Polished Chrome	JGX680.2PC	Each

### 135° Glass to Glass Shower Hinge

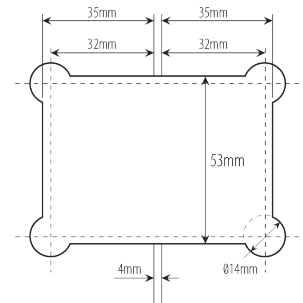
Suitable for 6mm or 8mm tempered safety glass. Max. door weight of 27kg, using 2 hinges and 40kg, using 3 hinges. Max. door width of 700mm, using 2 hinges and 800mm, using 3 hinges.



Description	Finish	Product Code	Unit of Sale
135° Glass to Glass Shower Hinge	Polished Chrome	JGX680.3PC	Each

### 90° Glass to Glass Shower Hinge

Suitable for 6mm or 8mm tempered safety glass. Max. door weight of 27kg, using 2 hinges and 40kg, using 3 hinges. Max. door width of 700mm, using 2 hinges and 800mm, using 3 hinges.

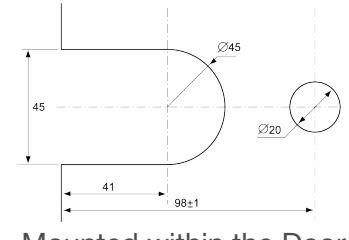
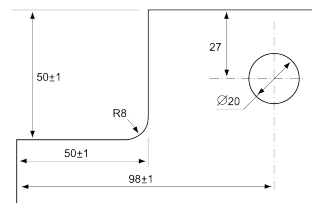


Description	Finish	Product Code	Unit of Sale
90° Glass to Glass Shower Hinge	Polished Chrome	JGX680.4PC	Each





Mounted at the Corners



Mounted within the Door

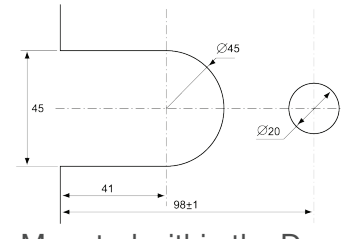
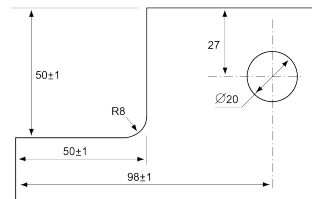
### Wall Mount Shower Hinge

Suitable for 8mm or 10mm tempered safety glass. Max. door weight of 40kg, using 2 hinges and 50kg, using 3 hinges. Max. door width of 800mm, using 2 hinges and 900mm, using 3 hinges. Complete with gaskets, stainless steel screws and wall plugs.

Description	Finish	Product Code	Unit of Sale
Wall Mount Shower Hinge	Polished Chrome	JGX991.1PC	Each



Mounted at the Corners



Mounted within the Door

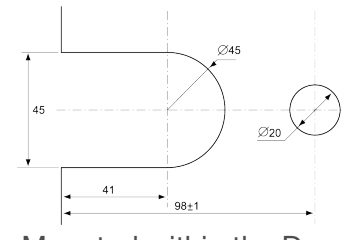
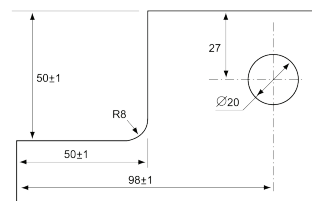
### Wall Mount Shower Hinge - One Side Fixing

Suitable for 8mm or 10mm tempered safety glass. Max. door weight of 40kg, using 2 hinges and 50kg, using 3 hinges. Max. door width of 800mm, using 2 hinges and 900mm, using 3 hinges. Complete with gaskets, stainless steel screws and wall plugs.

Description	Finish	Product Code	Unit of Sale
Wall Mount Shower Hinge - One Side Fixing	Polished Chrome	JGX991.1BPC	Each



Mounted at the Corners



Mounted within the Door

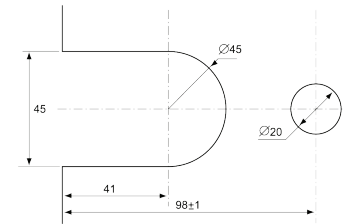
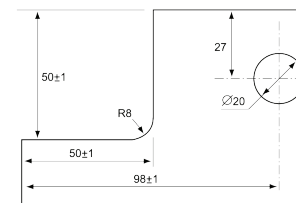
### 180° Glass to Glass Shower Hinge

Suitable for 8mm or 10mm tempered safety glass. Max. door weight of 40kg, using 2 hinges and 50kg, using 3 hinges. Max. door width of 800mm, using 2 hinges and 900mm, using 3 hinges.

Description	Finish	Product Code	Unit of Sale
180° Glass to Glass Shower Hinge	Polished Chrome	JGX991.2PC	Each



Mounted at the Corners



Mounted within the Door

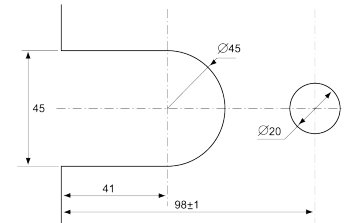
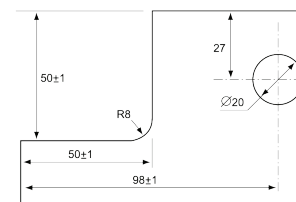
### 135° Glass to Glass Shower Hinge

Suitable for 8mm or 10mm tempered safety glass. Max. door weight of 40kg, using 2 hinges and 50kg, using 3 hinges. Max. door width of 800mm, using 2 hinges and 900mm, using 3 hinges.

Description	Finish	Product Code	Unit of Sale
135° Glass to Glass Shower Hinge	Polished Chrome	JGX991.3PC	Each



Mounted at the Corners

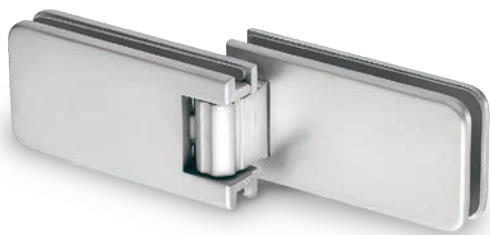


Mounted within the Door

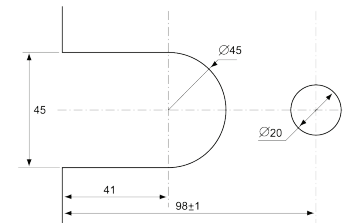
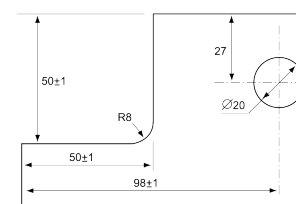
### 90° Glass to Glass Shower Hinge

Suitable for 8mm or 10mm tempered safety glass. Max. door weight of 40kg, using 2 hinges and 50kg, using 3 hinges. Max. door width of 800mm, using 2 hinges and 900mm, using 3 hinges.

Description	Finish	Product Code	Unit of Sale
90° Glass to Glass Shower Hinge	Polished Chrome	JGX991.4PC	Each



Mounted at the Corners



Mounted within the Door

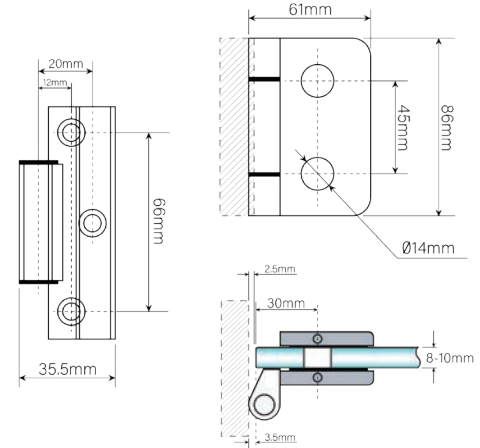
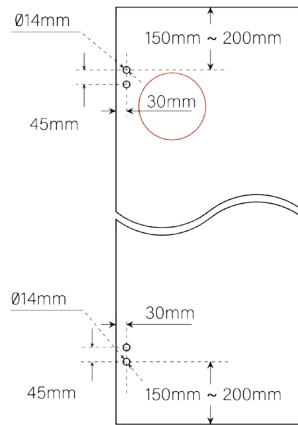
### 180° Folding Glass to Glass Shower Hinge

Suitable for 8mm or 10mm tempered safety glass. Max. door weight of 40kg, using 2 hinges and 50kg, using 3 hinges. Max. door width of 800mm, using 2 hinges and 900mm, using 3 hinges.

Description	Finish	Product Code	Unit of Sale
180° Folding Glass to Glass Shower Hinge	Polished Chrome	JGX991.5PC	Each



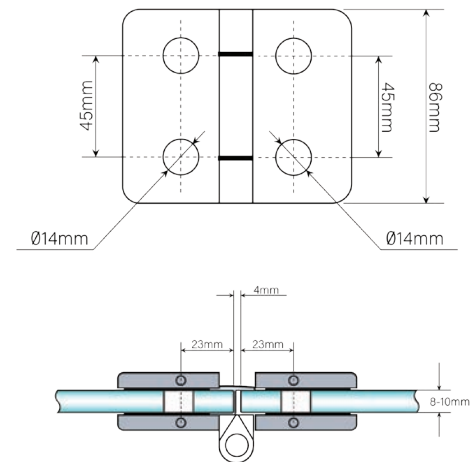
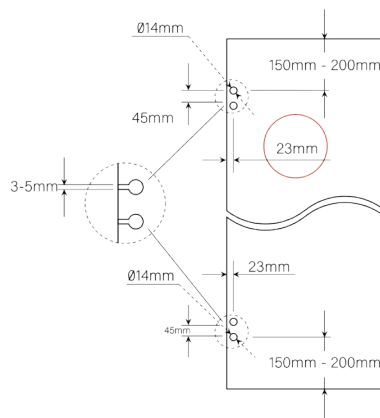
# Drill Only Hinges



### 180° Wall to Glass Shower Hinge

Suitable for both 8mm and 10mm thick glass. Endurance tested to 200,000 cycles. Glass only needs to be drilled and not notched. Door weight max. 60kg per pair.

Description	Glass	Finish	Product Code	Unit of Sale
180 Degree Wall to Glass Hinge	8mm -10mm	Polished Stainless Steel	KLH86PSS	Pair
180 Degree Wall to Glass Hinge	8mm -10mm	Stainless Steel Effect	KLH86SNK	Pair
180 Degree Wall to Glass Hinge	8mm -10mm	Matte Black	KLH86BK	Pair



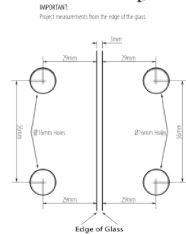
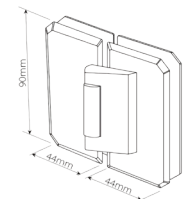
### 180° Glass to Glass Shower Hinge

Suitable for both 8mm and 10mm thick glass. Endurance tested to 200,000 cycles. Glass only needs to be drilled and not notched. Door weight max. 60kg per pair.

Description	Glass	Finish	Product Code	Unit of Sale
180 Degree Glass to Glass Hinge	8mm -10mm	Polished Stainless Steel	KLH86.2PSS	Pair
180 Degree Glass to Glass Hinge	8mm -10mm	Stainless Steel Effect	KLH86.2SNK	Pair

### Bi-Folding 180° - Outward Swinging Glass To Glass Hinge

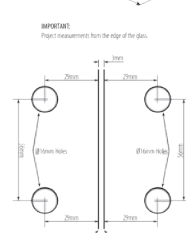
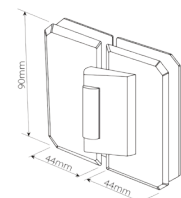
Door swings 180° out only. Suitable for 6mm to 8mm thick toughened glass. No cut out needed, only drill holes. Max weight of 25kg using 2 hinges and 37kg using 3 hinges. Max width of 787mm using 2 hinges and 864mm using 3 hinges.



Description	Swing	Finish	Product Code	Unit of Sale
180° Glass to Glass Shower Hinge	Swing Out	Polished Chrome	JHI181PC	Each
180° Glass to Glass Shower Hinge	Swing Out	Brushed Nickel	JHI181BN	Each

### Bi-Folding 180° - Inward Swinging Glass To Glass Hinge

Door swings 180° in only. Suitable for 6mm to 8mm thick toughened glass. No cut out needed, only drill holes. Max weight of 25kg using 2 hinges and 37kg using 3 hinges. Max width of 787mm using 2 hinges and 864mm using 3 hinges.

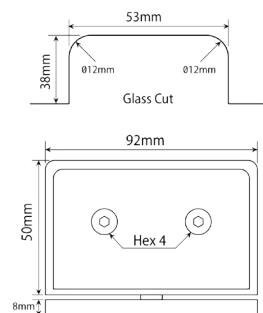


Description	Swing	Finish	Product Code	Unit of Sale
180° Glass to Glass Shower Hinge	Swing In	Polished Chrome	JHI182PC	Each
180° Glass to Glass Shower Hinge	Swing In	Brushed Nickel	JHI182BN	Each

## Pivot Shower Door Hinge

### Pivot Shower Hinge

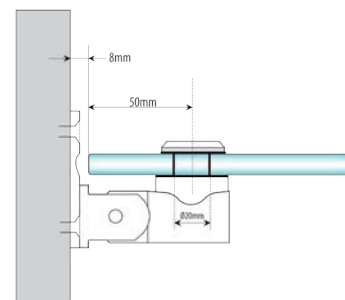
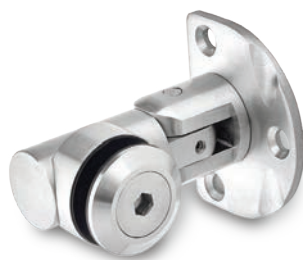
Suitable for 8mm to 10mm thick glass. Floor or ceiling shower or cabinet pivot hinge. Self Closing from 15°.



Description	Glass	Finish	Product Code	Unit of Sale
Shower Door Pivot Hinge	8mm -10mm	Polished Chrome	J0086	Each



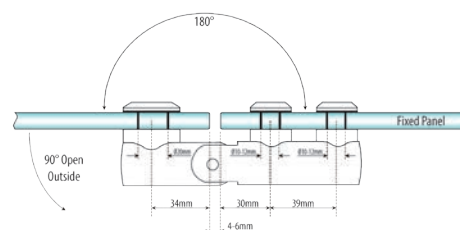
# KGX Series



### Glass to Wall Hinge

Non-spring hinges and made from SUS304 Stainless Steel. Suitable for 8mm, 10mm and 12mm glass thickness. Maximum door weight is 45kg per pair. Three hinges are recommended for door weight over 45kg. Maximum door width 1000mm. Satin Stainless Steel Finish.

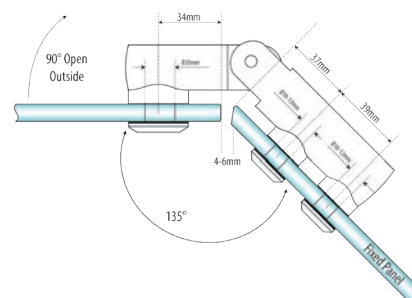
Description	Finish	Code	Unit of Sale
Glass to Wall Hinge	Satin Stainless Steel	KGX512.1	Each



### 180° Glass to Glass Hinge

Non-spring hinges and made from SUS304 Stainless Steel. Suitable for 8mm, 10mm and 12mm glass thickness. Maximum door weight is 45kg per pair. Three hinges are recommended for door weight over 45kg. Maximum door width 1000mm. Satin Stainless Steel Finish.

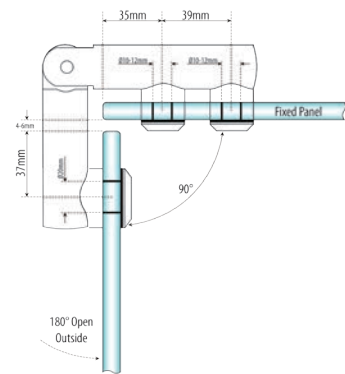
Description	Finish	Code	Unit of Sale
180 Degree Glass to Glass Hinge	Satin Stainless Steel	KGX512.2	Each



### 135° Glass to Glass Hinge

Non-spring hinges and made from SUS304 Stainless Steel. Suitable for 8mm, 10mm and 12mm glass thickness. Maximum door weight is 45kg per pair. Three hinges are recommended for door weight over 45kg. Maximum door width 1000mm. Satin Stainless Steel Finish.

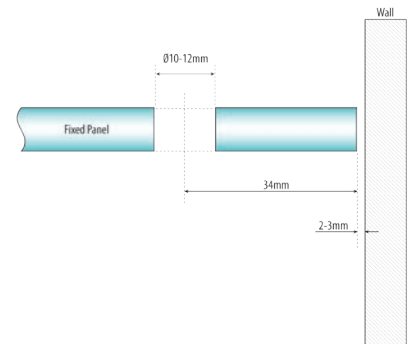
Description	Finish	Code	Unit of Sale
135 Degree Glass to Glass Hinge	Satin Stainless Steel	KGX512.3	Each



### 90° Glass to Glass Hinge

Non-spring hinges and made from SUS304 Stainless Steel. Suitable for 8mm, 10mm and 12mm glass thickness. Maximum door weight is 45kg per pair. Three hinges are recommended for door weight over 45kg. Maximum door width 1000mm. Satin Stainless Steel Finish.

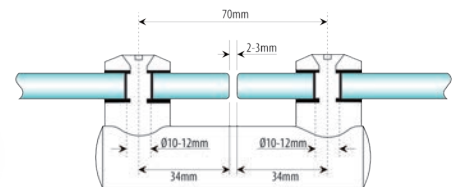
Description	Finish	Code	Unit of Sale
90 Degree Glass to Glass Hinge	Satin Stainless Steel	KGX512.4	Each



### Glass to Wall Connector

Made from SUS304 Stainless Steel. Glass to wall connector for fixed panels. Suitable for 8mm, 10mm and 12mm glass thick glass.

Description	Finish	Code	Unit of Sale
Glass to Wall Connector	Satin Stainless Steel	KGX62.1	Each

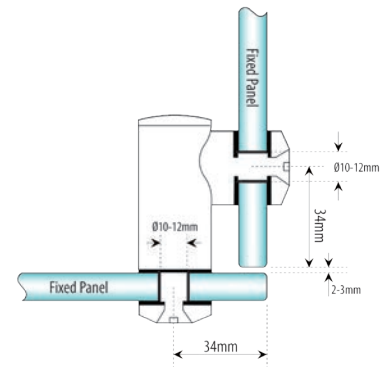


### 180° Glass to Glass Connector

Made from SUS304 Stainless Steel. 180 degree glass to glass connector for fixed panels. Suitable for 8mm, 10mm and 12mm glass thick glass.

Description	Finish	Code	Unit of Sale
180 Degree Glass to Glass Connector	Satin Stainless Steel	KGX62.2	Each

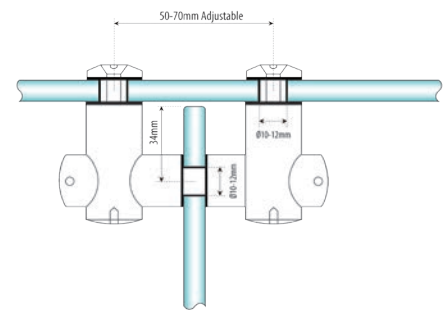




### 90° Glass to Glass Connector

Made from SUS304 Stainless Steel. 90 degree glass to glass connector for fixed panels. Suitable for 8mm, 10mm and 12mm glass thick glass.

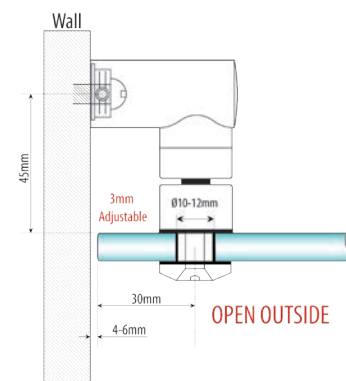
Description	Finish	Code	Unit of Sale
90 Degree Glass to Glass Connector	Satin Stainless Steel	KGX62.4	Each



### T Type Glass to Glass Connector

Made from SUS304 Stainless Steel. T shaped glass to glass connector for fixed panels. Suitable for 8mm, 10mm and 12mm glass thick glass.

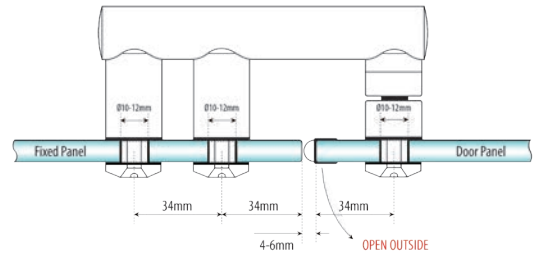
Description	Finish	Code	Unit of Sale
T Type Glass to Glass Connector	Satin Stainless Steel	KGX62.5	Each



### Magnetic Catch & Door Stop

Made from SUS304 Stainless Steel. Magnetic door catch and stop for glass doors. Suitable for 8mm, 10mm and 12mm glass thick glass.

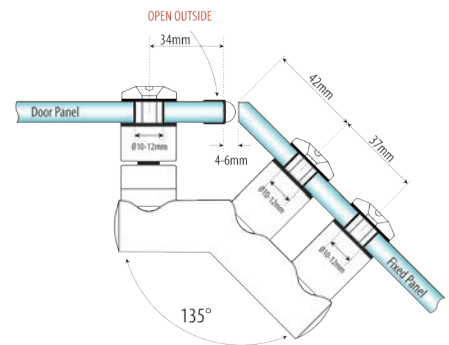
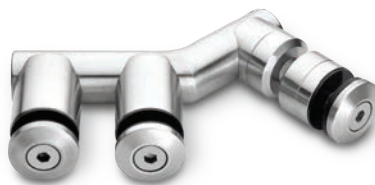
Description	Finish	Code	Unit of Sale
Magnetic Catch and Door Stop	Satin Stainless Steel	KGX62.1MH	Each



### 180° Magnetic Catch & Door Stop

Made from SUS304 Stainless Steel. 180 degree magnetic door catch and stop for glass doors. Suitable for 8mm, 10mm and 12mm glass thick glass.

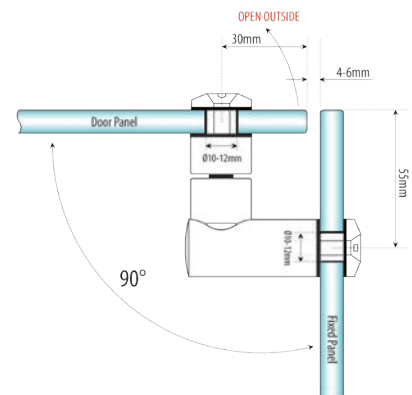
Description	Finish	Code	Unit of Sale
180 Degree Magnetic Catch and Door Stop	Satin Stainless Steel	KGX62.2MH	Each



### 135° Magnetic Catch & Door Stop

Made from SUS304 Stainless Steel. 135 degree magnetic door catch and stop for glass doors. Suitable for 8mm, 10mm and 12mm glass thick glass.

Description	Finish	Code	Unit of Sale
135 Degree Magnetic Catch and Door Stop	Satin Stainless Steel	KGX62.3MH	Each



### 90° Magnetic Catch & Door Stop

Made from SUS304 Stainless Steel. 90 degree magnetic door catch and stop for glass doors. Suitable for 8mm, 10mm and 12mm glass thick glass.

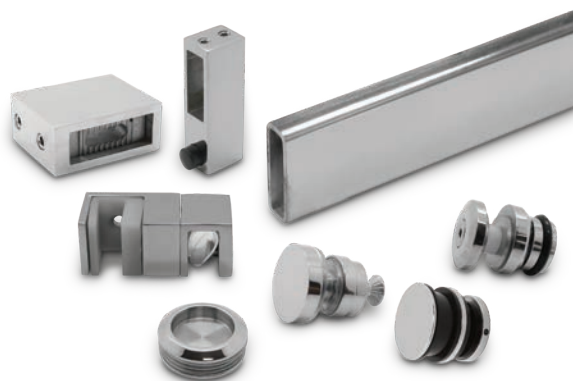
Description	Finish	Code	Unit of Sale
90 Degree Magnetic Catch and Door Stop	Satin Stainless Steel	KGX62.4MH	Each



# Sliding Shower Door Systems

## Cascade Wall to Wall Sliding Door Kit

A high quality "wall to wall" sliding shower door system. Suitable For 8mm to 10mm thick glass. Can be adapted to be mounted to a 90° fixed panel by adding J.CAS003. Maximum door weight should not exceed 40kg or a maximum width of 762mm. Available in polished & satin stainless steel as well as the contemporary matte black.

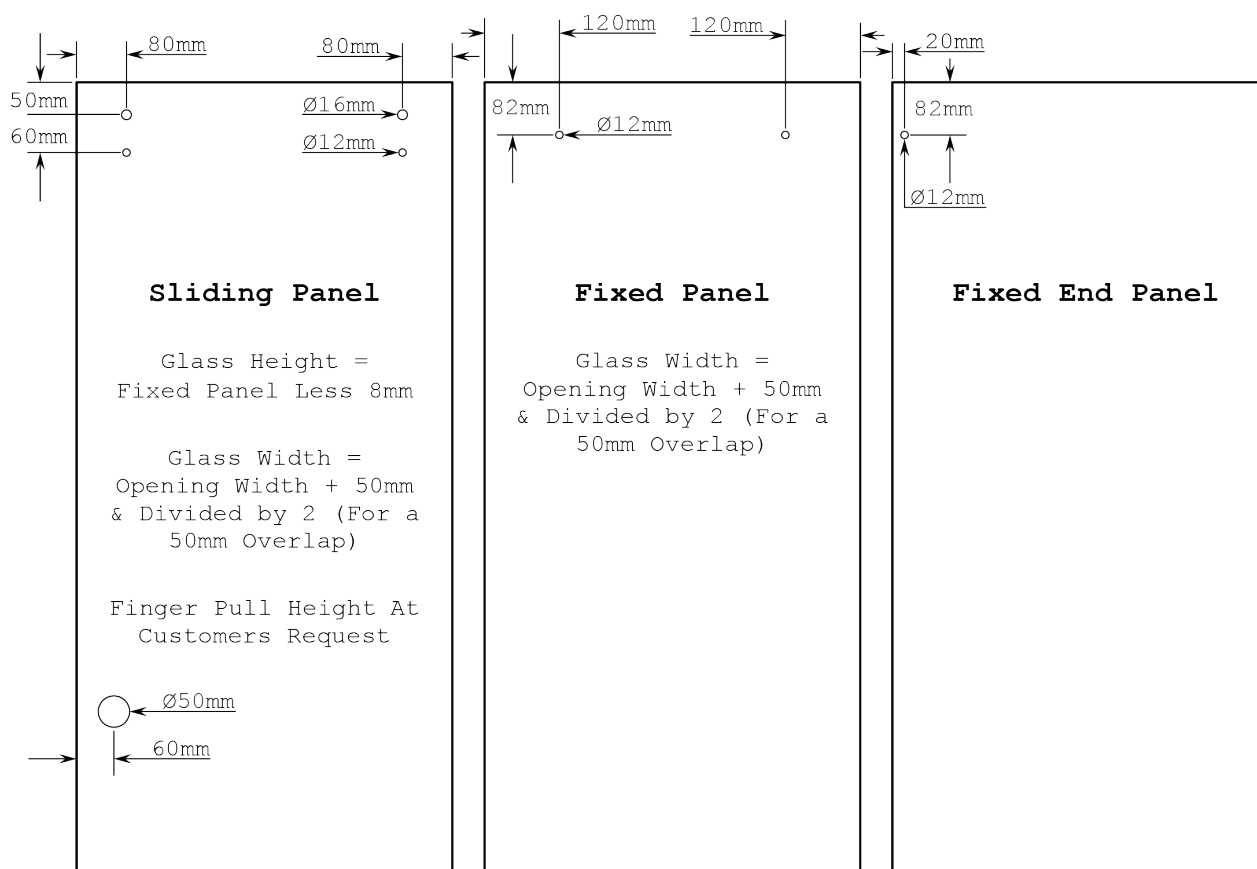


Kit Includes:

1 x 2 Metre Stainless Steel Bar	2 x Door Stoppers
2 x Anti-Lift Fittings	2 x Fixed Panel Track Holders
1 x Door Guide	1 x Glass Door Pull
2 x Sliding Door Rollers	

Description	Finish	Product Code	Unit of Sale
Cascade Wall to Wall Sliding Shower Door Kit	Polished Stainless Steel	J.CAS001	Kit
Cascade Wall to Wall Sliding Shower Door Kit	Satin Stainless Steel	J.CAS011	Kit
Cascade Wall to Wall Sliding Shower Door Kit	Matte Black	J.CAS021	Kit

## Cascade Glass Drilling & Preparation



Glass Thickness: 8mm to 10mm

Glass Type: Monolithic Tempered Glass

## Cascade Spare Roller Set

A replacement roller set for the Cascade shower door system. Suitable For 8mm to 10mm thick glass. Can be added instead of the anti-lift fixings to give a more modern look. Please note a different drilling pattern applies.



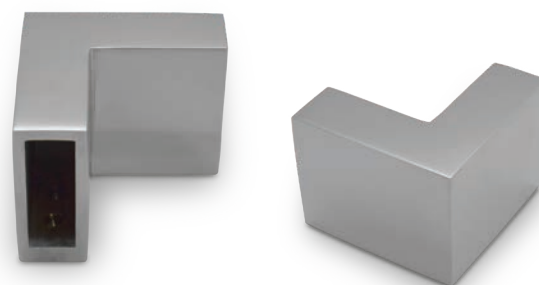
Description	Finish	Product Code	Unit of Sale
Cascade Spare Roller Set	Polished Stainless Steel	J.CAS002	Pair
Cascade Spare Roller Set	Satin Stainless Steel	J.CAS012	Pair
Cascade Spare Roller Set	Matte Black	J.CAS022	Pair

## Cascade Rail to Glass Panel End Fixing

This fitting can be added to the Cascade shower door system on one or both ends to convert the system from a wall to wall system into a wall to glass or a glass to glass system. A simple drilled hole in the end fixed panel is all that is required.



Description	Finish	Product Code	Unit of Sale
Cascade Rail to Glass Panel End Fixing	Polished Stainless Steel	J.CAS003	Each
Cascade Rail to Glass Panel End Fixing	Satin Stainless Steel	J.CAS013	Each
Cascade Rail to Glass Panel End Fixing	Matte Black	J.CAS023	Each



## Cascade 90° Sliding Rail Connector

Create an attractive 90 degree double door corner system more easily than ever before, ideal for smaller bathroom areas. A choice of beautiful and durable polished, satin stainless steel or matte black finishes help to match any modern bathroom décor. No glass fabrication is required for the connector bracket itself.

Description	Finish	Product Code	Unit of Sale
Cascade 90 Degree Sliding Rail Connector	Polished Stainless Steel	J.CAS004	Each
Cascade 90 Degree Sliding Rail Connector	Satin Stainless Steel	J.CAS014	Each
Cascade 90 Degree Sliding Rail Connector	Matte Black	J.CAS024	Each



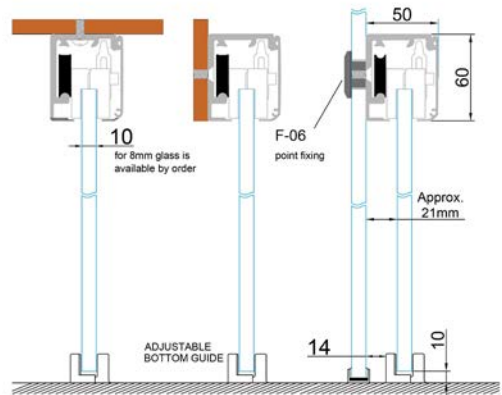
# **BRISA 160 Soft Closing Sliding Door System**

## Brisa 160 Soft Close Sliding Door Kit

An ultra slim profile suitable for wall, ceiling or glass mounting. With an innovative design, allowing for a smooth and effortless operation. Easy to install in a short time with no glass drilling required of the door. Suitable for 8mm to 10mm thick glass. Minimum glass width of 740mm to have both ends with a soft stop function. Maximum door weight is 60kg. Supplied as standard in a matt silver finish.

Kit Includes:

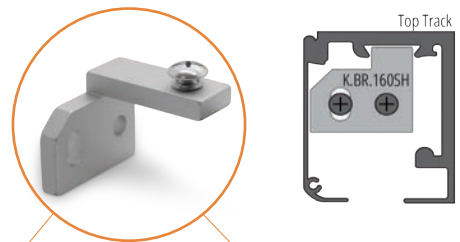
- 1 x 2400mm Top Track
- 2 x Active Devices
- 2 x End Stoppers
- 2 x End Caps (Left & Right)
- 1 x Cover
- 2 x Clamps with Rollers
- 2 x Soft Stop Devices (Left & Right)
- 1 x Adjustable Bottom Guide



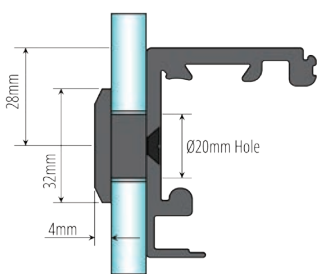
Description	Finish	Product Code	Unit of Sale
Brisa 160 Complete Soft Close Sliding Door Kit	Polished Stainless Steel	K.BR.2400.KIT	Kit

## Brisa 160 Sliding Track Side Holders

For mounting the Brisa 160 sliding track at each end. Ideal for use in a wall to wall or alcove installation.



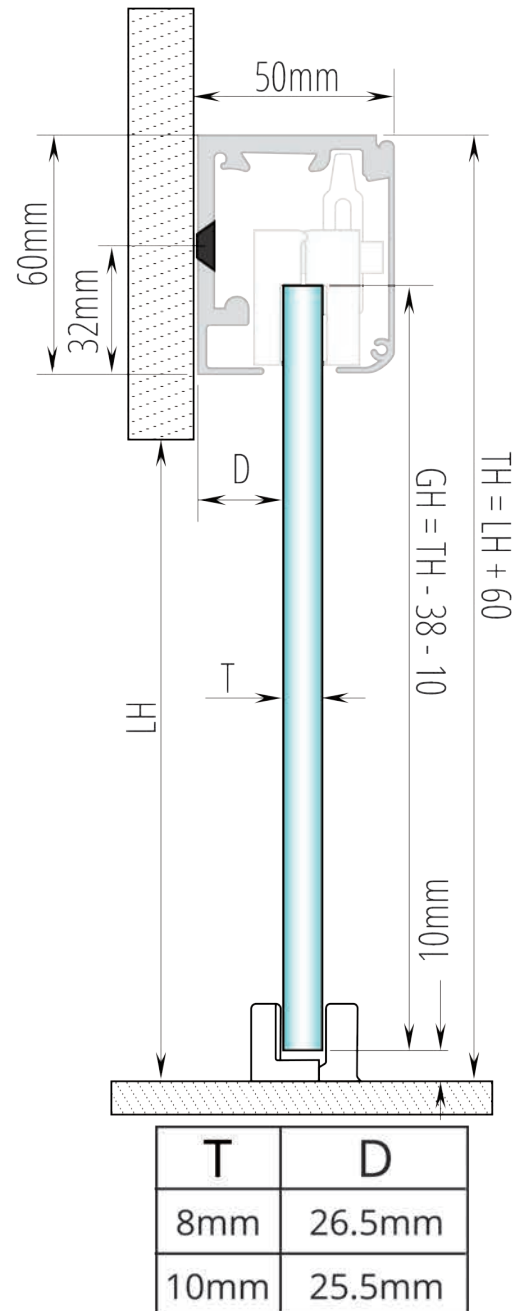
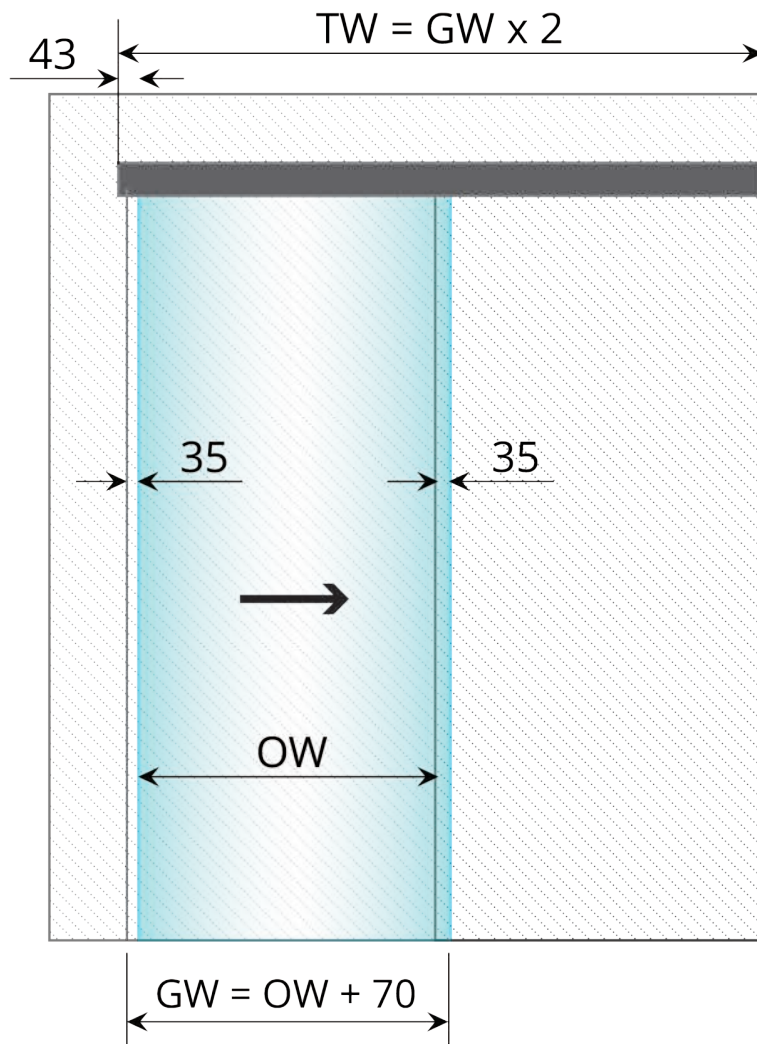
Description	Finish	Product Code	Unit of Sale
Brisa 160 Sliding Track Side Holders	Polished Stainless Steel	K.BR.160SH	Pair



## Brisa 160 Sliding Track Point Fixing

Designed to attach the fixed panel to the main track profile. Flat hole design for easy processing.

Description	Finish	Product Code	Unit of Sale
Brisa 160 Sliding Track Point Fixing	Polished Stainless Steel	K.BR.F06	Each



TH : Total Height

TW : Total Width

LH : Linear Height

GH : Glass Panel Height

OW : Opening Width

GW : Glass Panel Width (*min. 740mm for both ends soft stop function*)

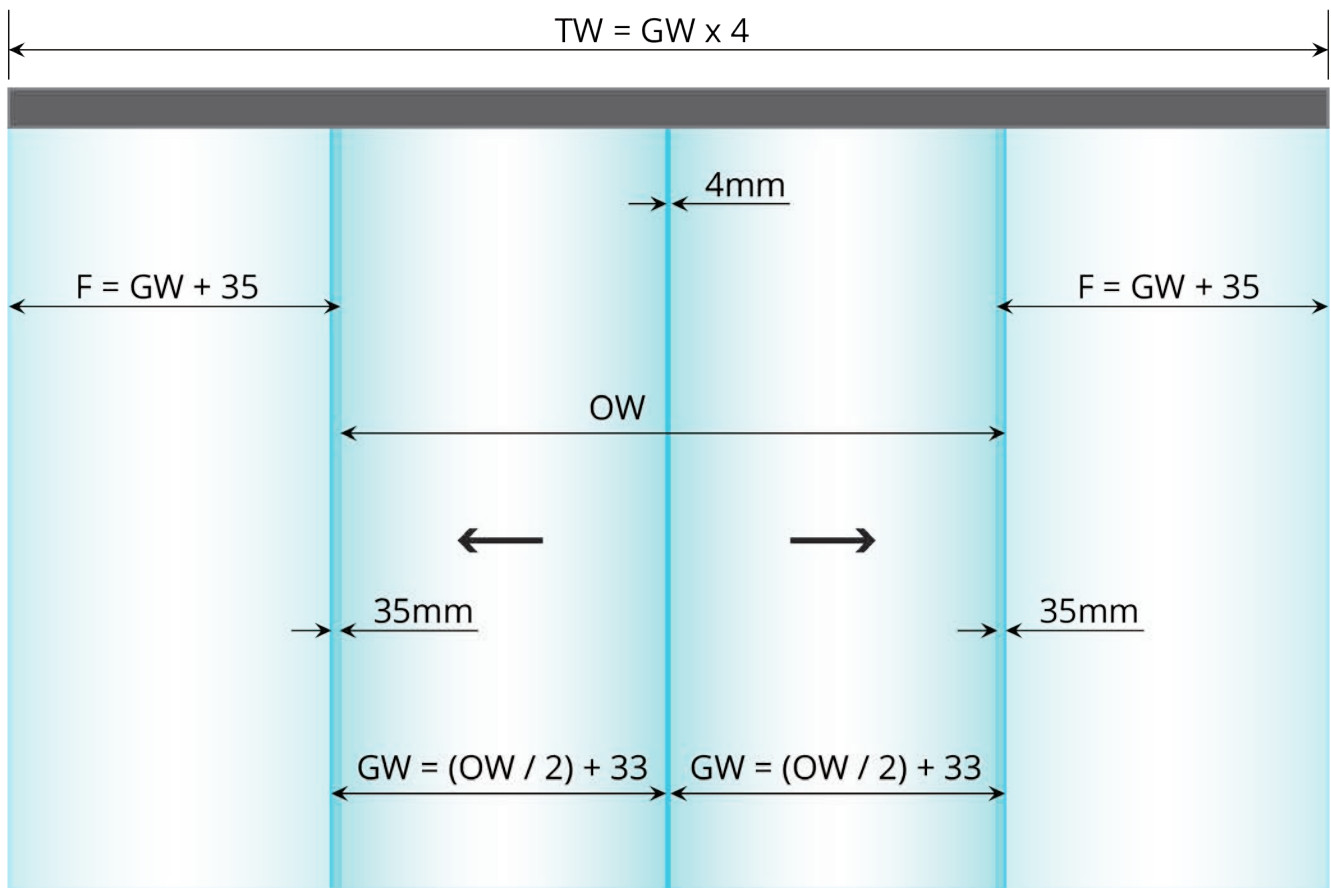
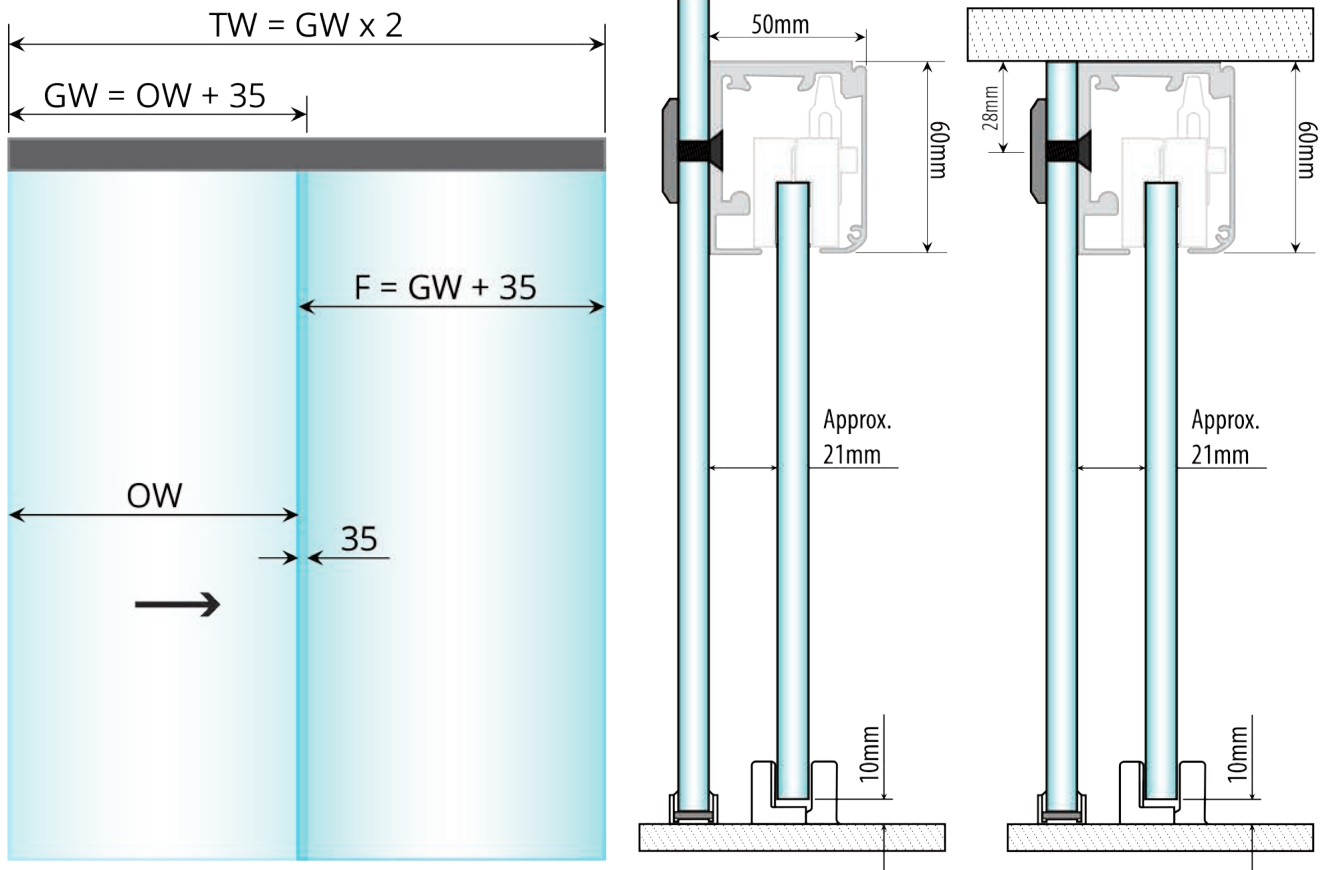
T : Glass Thickness 8mm or 10mm

B : Bottom Gap 10mm

D : Wall to Glass Distance

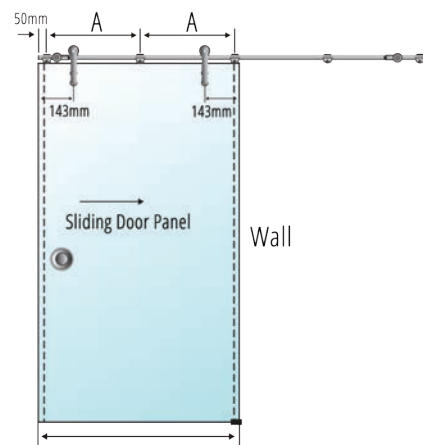
F : Fixed Panel Width







# G-Tech Sliding Door Kit



$$A = (\text{Door Panel Width} - 50) \div 2$$

## G-Tech Single Door Kit A

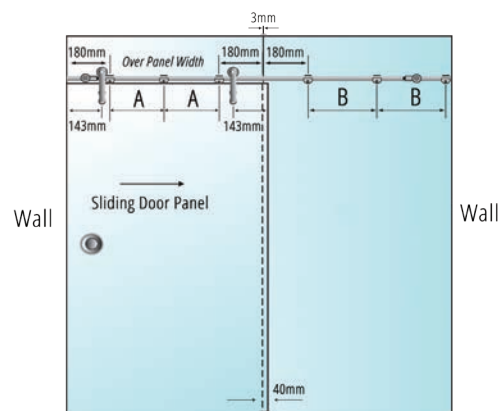
Complete G-Tech single door kit with wall mounts. Suitable for a single glass door mounted on a block or timber structure. Maximum door weight : 100kg. For 10mm to 12mm thick glass. Comes complete with special spring loaded stoppers.

### Kit Includes:

- 1 x 3 Metre Sliding Rail
- 5 x Rail To Wall Holders
- 2 x Door Stops
- 1 x Pair Of Door Hangers
- 2 x Rail End Caps
- 1 x Bottom Guide

*Finger Pull Or Handle Must Be Purchased Separately*

Description	Code	Unit of Sale
G-Tech Single Door Kit A	KGSDKITA	Kit



$$A = [\text{Over Panel Width} - (180 + 180)] \div 2$$

$$B = [\text{Side Panel Width} - (180 + 180)] \div 2$$

## G-Tech Single Door Kit B

Complete G-Tech single door kit with glass mounts. Suitable for a single glass door mounted on a glass side panel and overpanel. Maximum door weight : 100kg. Suitable for 10mm to 12mm thick glass. Comes complete with special spring loaded stoppers.

### Kit Includes:

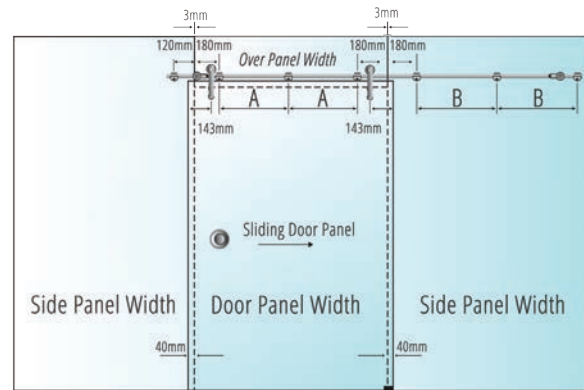
- 1 x 3 Metre Sliding Rail
- 6 x Rail To Glass Holders
- 2 x Door Stops
- 1 x Pair Of Door Hangers
- 2 x Rail End Caps
- 1 x Bottom Guide

*Finger Pull Or Handle Must Be Purchased Separately*

Description	Code	Unit of Sale
G-Tech Single Door Kit B	KGSDKITB	Kit



### G-Tech Single Door Kit C



$$A = [\text{Over Panel Width} - (180 + 180)] \div 2$$

$$B = [\text{Side Panel Width} - (180 + 180)] \div 2$$

Complete G-Tech single door kit with glass mounts. Suitable for a single glass door mounted on two glass side panels and an overpanel. Maximum door weight : 100kg. Suitable for 10mm to 12mm thick glass. Comes complete with special spring loaded stoppers.

#### Kit Includes:

1 x 3 Metre Sliding Rail	7 x Rail To Glass Holders	2 x Door Stops
1 x Pair Of Door Hangers	2 x Rail End Caps	1 x Bottom Guide

*Finger Pull Or Handle Must Be Purchased Separately*

#### Description

#### Code

#### Unit of Sale

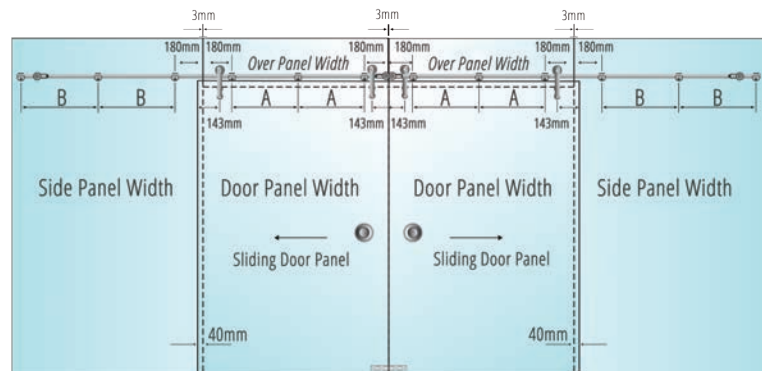
G-Tech Single Door Kit C

KGSDKITC

Kit



### G-Tech Double Door Kit D



$$A = [\text{Over Panel Width} - (180 + 180)] \div 2$$

$$B = [\text{Side Panel Width} - (180 + 180)] \div 2$$

Complete G-Tech double door kit with glass mounts for use with two side panels and overpanels. Maximum door weight : 100kg. Suitable for 10mm to 12mm thick glass. Comes complete with special spring loaded stoppers.

#### Kit Includes:

2 x 3 Metre Sliding Rail	12 x Rail To Wall Holders	4 x Door Stops	1 x Rail Joiner
2 x Pair Of Door Hangers	2 x Rail End Caps	2 x Bottom Guide	

*Finger Pull Or Handle Must Be Purchased Separately*

#### Description

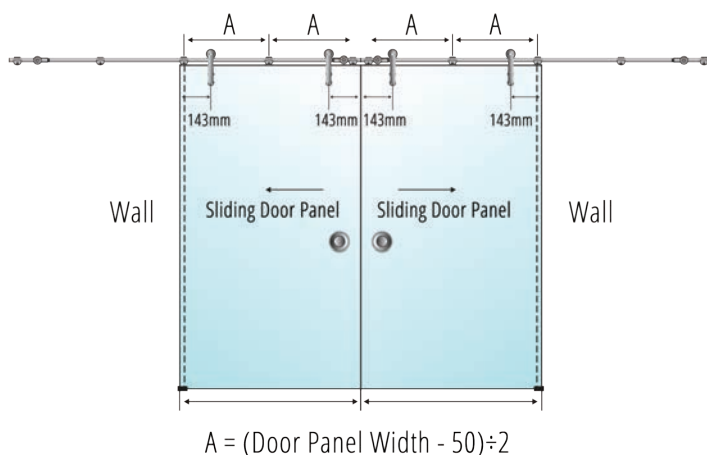
#### Code

#### Unit of Sale

G-Tech Double Door Kit D

KGSDKITD

Kit



## G-Tech Double Door Kit E

Complete G-Tech double door kit with wall mounts. Suitable for a double glass door mounted on a block or timber structure. Maximum door weight : 100kg. For 10mm to 12mm thick glass. Comes complete with special spring loaded stoppers.

### Kit Includes:

- 2 x 3 Metre Sliding Rail
- 2 x Pair Of Door Hangers
- 12 x Rail To Wall Holders
- 2 x Rail End Caps
- 4 x Door Stops
- 2 x Bottom Guide

*Finger Pull Or Handle Must Be Purchased Separately*

### Description

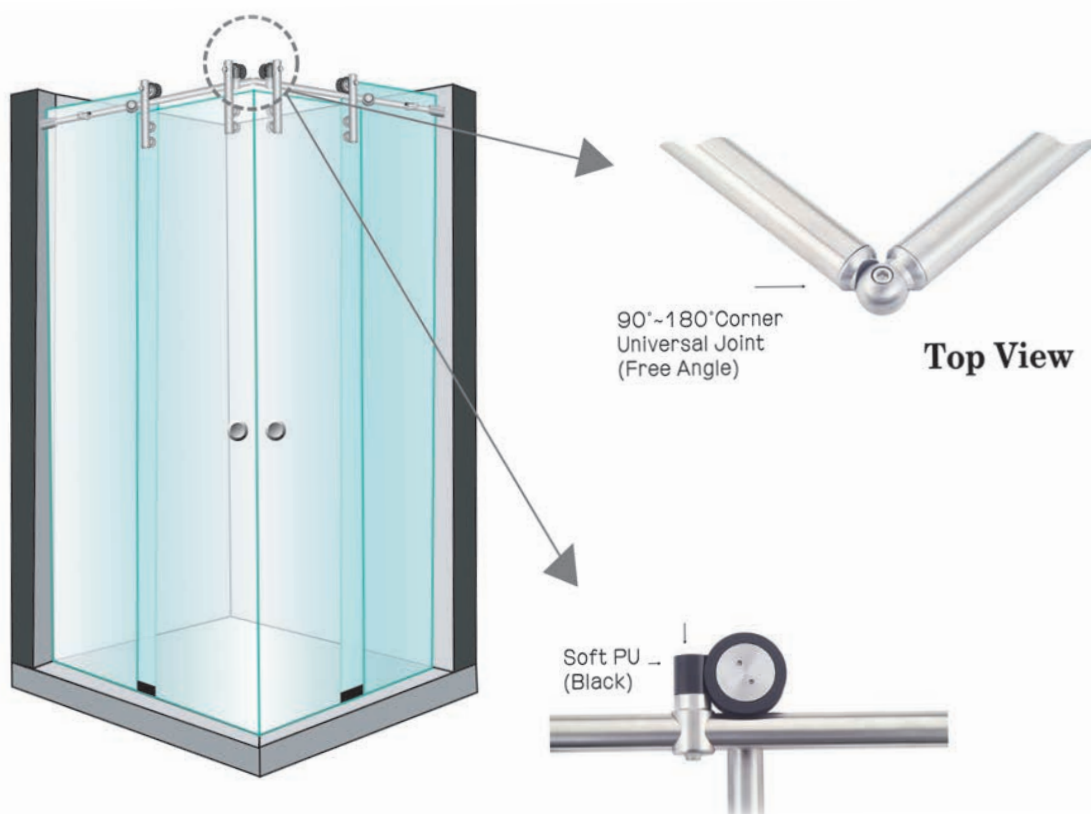
### Code

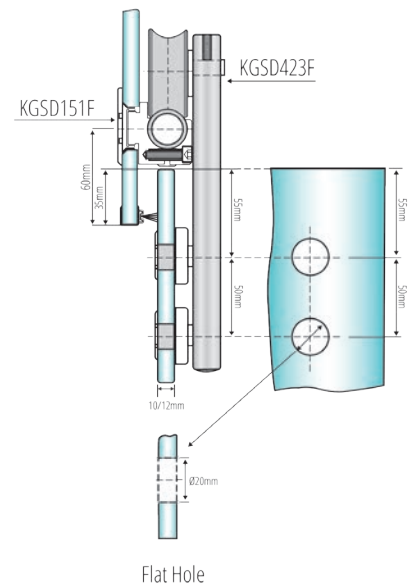
### Unit of Sale

G-Tech Double Door Kit E

KGSDKITE

Kit

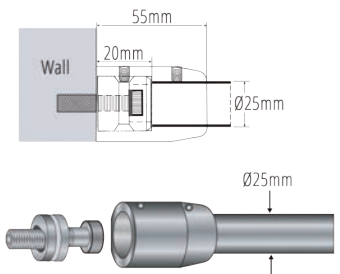




## Roller Hanger - Flat Type

Offset roller shaft for adjusting door panel up and down.  
With flat type fittings. Suitable for 10mm to 12mm thick glass.

Description	Finish	Product Code	Unit of Sale
G-Tech Roller Hanger - Flat Type	Satin Stainless Steel	KGSD423F	Pair



## Sliding Door Rail End Holder

For use with the 25mm wall tube (KGSD025).  
To join the tube to a wall.

Description	Finish	Code	Unit of Sale
G-Tech Sliding Door Rail End Holder	Stainless Steel	KGSD440	Each

## 25mm Heavy Wall Tube

25mm stainless steel G-Tech wall tube.  
For use with all G-Tech accessories.



Description	Finish	Product Code	Unit of Sale
G-Tech 25mm Heavy Wall Tube	Stainless Steel	KGSD025	3 Metres



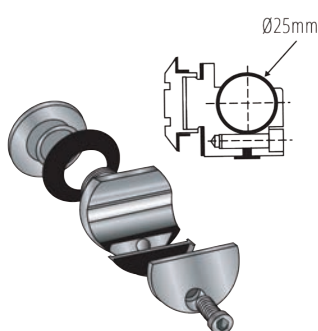
## Sliding Door Rail End Cap

For use with the 25mm wall tube (KGSD025).

Description	Finish	Code	Unit of Sale
G-Tech Sliding Door Rail End Cap	Stainless Steel	KGSDRECS	Each



Countersunk Type

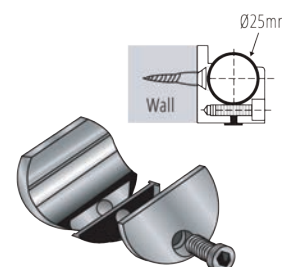


Flat Type

## Rail to Glass Holder - Countersunk or Flat Type

Suitable for mounting the sliding door rail on to glass fixed panels. Suitable for 10mm to 12mm thick glass. The countersunk option means that the fitting finishes flush with the glass surface.

Description	Code	Unit of Sale
Sliding Door Rail to Glass Holder - Countersunk Type	KGSD151C	Each
Sliding Door Rail to Glass Holder - Flat Type	KGSD151F	Each



## Rail to Wall Holder

Used to mount the sliding door rail to the wall.  
Suitable for the 25mm diameter sliding rail.

Description	Product Code	Unit of Sale
Sliding Door Rail to Wall Holder	KGSD153	Each



## Sliding Door Stopper

An alternative stopper to the standard spring loaded stopper designed to fit to the 25mm diameter sliding rail.

Description	Product Code	Unit of Sale
G-Tech Sliding Door Stopper	KGSD420B	Each



## Sliding Door Stopper with Spring

Supplied as standard with the kits. This stop allows for a softer closing ensuring the glass doesn't jump on the track if closed or opened too hard. Designed to fit the standard 25mm diameter sliding rail.

Description	Product Code	Unit of Sale
G-Tech Sliding Door Stopper with Spring	KGSD420	Each



## Bottom Guide

For holding the glass panel at the bottom. Adjustable for 10mm or 12mm thick glass.

Description	Finish	Product Code	Unit of Sale
Bottom Guide	Plastic	KBG15	Each

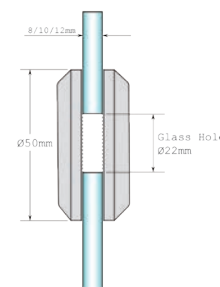




## Sliding Door Bottom Guide

For holding the sliding glass panel at the bottom.  
Adjustable for 10mm or 12mm thick glass.

Description	Finish	Product Code	Unit of Sale
Sliding Door Bottom Guide	Stainless Steel	KBG15S	Each



## Concealed Door Pull

This glass door pull is discreet and minimalist enough to allow the door to fully open over the fixed panel or wall.  
Suitable for 8mm to 12mm thick glass.

Description	Finish	Product Code	Unit of Sale
Concealed Door Pull	Stainless Steel	KCFH65SS	Each
Concealed Door Pull	Matte Silver	KCFH65MS	Each
Concealed Door Pull	Stainless Steel Effect	KCFH65SNK	Each



## Corner Universal Joint

This universal joiner can join the standard 25mm diameter sliding rail at any angle. This will allow the G-Tech sliding door system to work in virtually all scenarios.

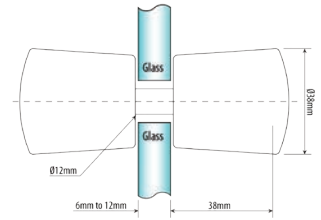
Description	Product Code	Unit of Sale
G-Tech Corner Universal Joint	KGSD435	Each



# Shower Door Knobs

### JKB3838 Shower Door Knob

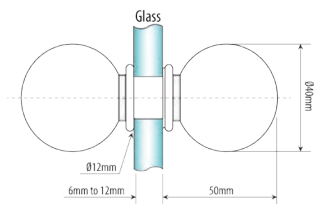
Suitable for 6mm, 8mm, 10mm & 12mm thick glass.  
With a hole diameter of 12mm.



Description	Finish	Product Code	Unit of Sale
JKB3838 Shower Door Knob	Polished Chrome	JKB3838PC	Back to Back Set

### JKB4050 Shower Door Knob

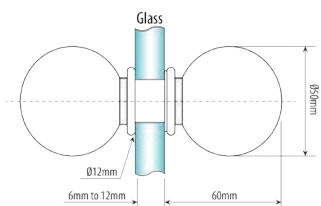
Suitable for 6mm, 8mm, 10mm & 12mm thick glass.  
With a hole diameter of 12mm.



Description	Finish	Product Code	Unit of Sale
JKB4050 Shower Door Knob	Polished Chrome	JKB4050PC	Back to Back Set

### JKB5060 Shower Door Knob

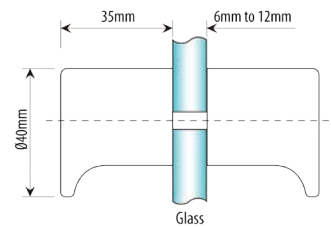
Suitable for 6mm, 8mm, 10mm & 12mm thick glass.  
With a hole diameter of 12mm.



Description	Finish	Product Code	Unit of Sale
JKB5060 Shower Door Knob	Polished Chrome	JKB5060PC	Back to Back Set

### JKB4035 Shower Door Knob

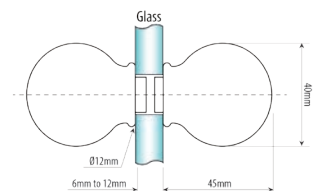
Suitable for 6mm, 8mm, 10mm & 12mm thick glass.  
With a hole diameter of 12mm.



Description	Finish	Product Code	Unit of Sale
JKB4035 Shower Door Knob	Polished Chrome	JKB4035PC	Back to Back Set
JKB4035 Shower Door Knob	Satin Aluminium	JKB4035SA	Back to Back Set

### JKB4045 Shower Door Knob

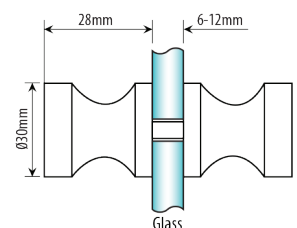
Suitable for 6mm, 8mm, 10mm & 12mm thick glass.  
With a hole diameter of 12mm.



Description	Finish	Product Code	Unit of Sale
JKB4045 Shower Door Knob	Polished Chrome	JKB4045PC	Back to Back Set
JKB4045 Shower Door Knob	Satin Chrome	JKB4045SC	Back to Back Set

### JKB603 Shower Door Knob

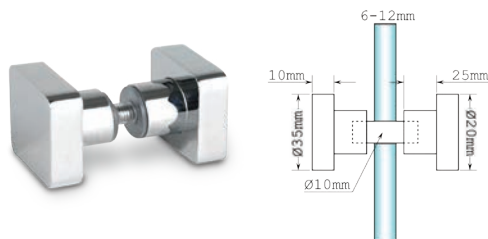
Suitable for 6mm, 8mm, 10mm & 12mm thick glass.  
With a hole diameter of 12mm.



Description	Finish	Product Code	Unit of Sale
JKB603 Shower Door Knob	Polished Chrome	JKB603	Back to Back Set
JKB603 Shower Door Knob	Satin Chrome	JKB603SC	Back to Back Set

### JKB614 Shower Door Knob

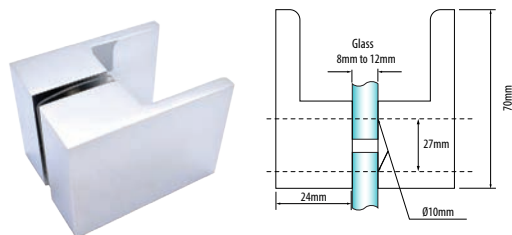
Suitable for 6mm to 12mm thick glass. 35mm x 35mm Knob with 25mm projection from glass for easy grip. 10mm drill hole required.



Description	Finish	Product Code	Unit of Sale
JKB614 Shower Door Knob	Polished Chrome	JKB614	Back to Back Set
JKB614 Shower Door Knob	Satin Chrome	JKB614SC	Back to Back Set

### JKB615 Paddle Style Door Pull

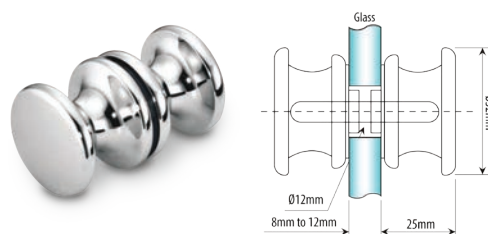
Suitable for 8 to 12mm thick glass. A premium quality, contemporary door pull that can be used with the pull to the side or facing downwards.



Description	Finish	Product Code	Unit of Sale
JKB615 Shower Door Knob	Polished Chrome	JKB615PC	Back to Back Set
JKB615 Shower Door Knob	Satin Chrome	JKB615SC	Back to Back Set
JKB615 Shower Door Knob	Matte Black	JKB615MB	Back to Back Set

### JKB691 Shower Door Knob

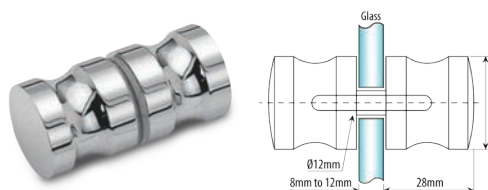
Suitable for 6mm, 8mm, 10mm & 12mm thick glass. With a hole diameter of 12mm.



Description	Finish	Product Code	Unit of Sale
JKB691 Shower Door Knob	Polished Chrome	JKB691	Back to Back Set
JKB691 Shower Door Knob	Satin Chrome	JKB691SC	Back to Back Set

### JKB692 Shower Door Knob

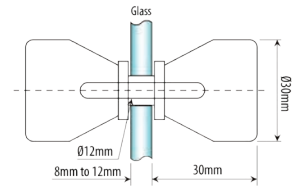
Suitable for 6mm, 8mm, 10mm & 12mm thick glass. With a hole diameter of 12mm.



Description	Finish	Product Code	Unit of Sale
JKB692 Shower Door Knob	Polished Chrome	JKB692	Back to Back Set
JKB692 Shower Door Knob	Satin Chrome	JKB692SC	Back to Back Set

### JKB693 Shower Door Knob

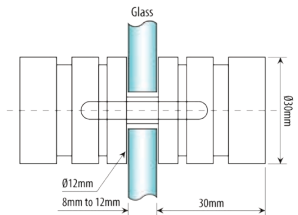
Suitable for 6mm, 8mm, 10mm & 12mm thick glass.  
With a hole diameter of 12mm.



Description	Finish	Product Code	Unit of Sale
JKB693 Shower Door Knob	Polished Chrome	JKB693	Back to Back Set
JKB693 Shower Door Knob	Satin Chrome	JKB693SC	Back to Back Set

### JKB694 Shower Door Knob

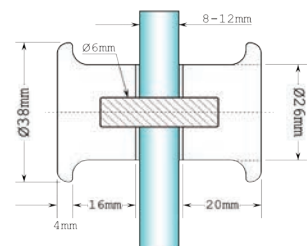
Suitable for 6mm, 8mm, 10mm & 12mm thick glass.  
With a hole diameter of 12mm.



Description	Finish	Product Code	Unit of Sale
JKB694 Shower Door Knob	Polished Chrome	JKB694	Back to Back Set
JKB694 Shower Door Knob	Satin Chrome	JKB694SC	Back to Back Set

### JKB695 Shower Door Knob

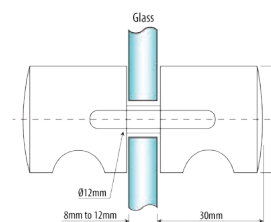
Suitable for 6mm, 8mm, 10mm & 12mm thick glass.  
With a hole diameter of 12mm.



Description	Finish	Product Code	Unit of Sale
JKB695 Shower Door Knob	Polished Chrome	JKB695	Back to Back Set
JKB695 Shower Door Knob	Satin Chrome	JKB695SC	Back to Back Set
JKB695 Shower Door Knob	Matte Black	JKB695BL	Back to Back Set

### JKB696 Shower Door Knob

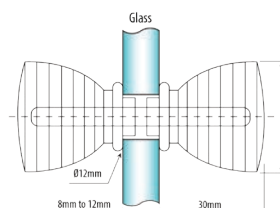
Suitable for 6mm, 8mm, 10mm & 12mm thick glass.  
With a hole diameter of 12mm.



Description	Finish	Product Code	Unit of Sale
JKB696 Shower Door Knob	Polished Chrome	JKB696	Back to Back Set
JKB696 Shower Door Knob	Satin Chrome	JKB696SC	Back to Back Set

### JKB697 Shower Door Knob

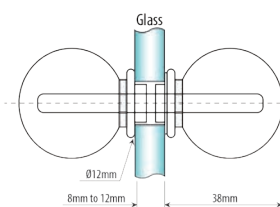
Suitable for 6mm, 8mm, 10mm & 12mm thick glass.  
With a hole diameter of 12mm.



Description	Finish	Product Code	Unit of Sale
JKB697 Shower Door Knob	Polished Chrome	JKB697	Back to Back Set
JKB697 Shower Door Knob	Satin Chrome	JKB697SC	Back to Back Set

### JKB698 Shower Door Knob

Suitable for 6mm, 8mm, 10mm & 12mm thick glass.  
With a hole diameter of 12mm.



Description	Finish	Product Code	Unit of Sale
JKB698 Shower Door Knob	Polished Chrome	JKB698	Back to Back Set
JKB698 Shower Door Knob	Satin Chrome	JKB698SC	Back to Back Set

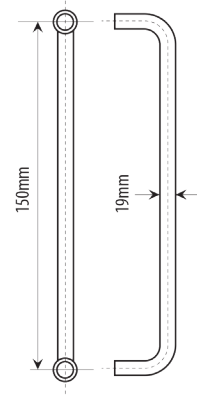


# Shower Door Handles & Pulls



### 150mm Door Handle

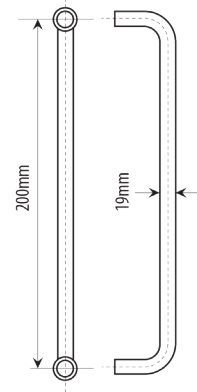
Constructed of heavy wall SUS 304 stainless steel tubing. 150mm long with a handle diameter of 19mm. 12mm to 16mm hole required in glass.



Description	Diameter	Finish	Product Code	Unit of Sale
150mm Door Handle	19mm	Polished Chrome	JH01APC	Back to Back Set
150mm Door Handle	19mm	Satin Chrome	JH01ASC	Back to Back Set
150mm Door Handle	19mm	Matte Black	JH01ABL	Back to Back Set

### 200mm Door Handle

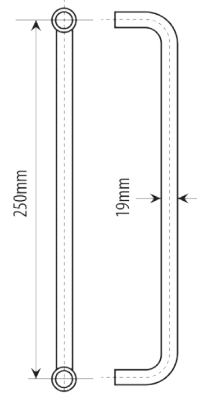
Constructed of heavy wall SUS 304 stainless steel tubing. 200mm long with a handle diameter of 19mm. 12mm to 16mm hole required in glass.



Description	Diameter	Finish	Product Code	Unit of Sale
200mm Door Handle	19mm	Polished Chrome	JH01BPC	Back to Back Set
200mm Door Handle	19mm	Satin Chrome	JH01BSC	Back to Back Set

### 250mm Door Handle

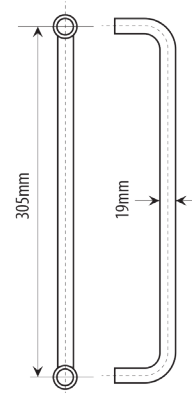
Constructed of heavy wall SUS 304 stainless steel tubing. 250mm long with a handle diameter of 19mm. 12mm to 16mm hole required in glass.



Description	Diameter	Finish	Product Code	Unit of Sale
250mm Door Handle	19mm	Polished Chrome	JH01CPC	Back to Back Set
250mm Door Handle	19mm	Satin Chrome	JH01CSC	Back to Back Set

### 305mm Door Handle

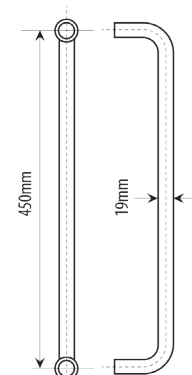
Constructed of heavy wall SUS 304 stainless steel tubing. 305mm long with a handle diameter of 19mm. 12mm to 16mm hole required in glass.



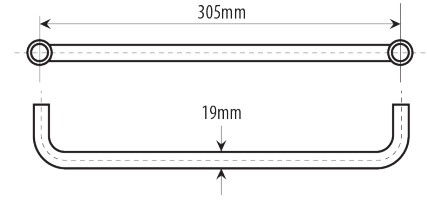
Description	Diameter	Finish	Product Code	Unit of Sale
305mm Door Handle	19mm	Polished Chrome	JH01DPC	Back to Back Set
305mm Door Handle	19mm	Satin Chrome	JH01DSC	Back to Back Set

### 450mm Door Handle

Constructed of heavy wall SUS 304 stainless steel tubing. 450mm long with a handle diameter of 19mm. 12mm to 16mm hole required in glass.



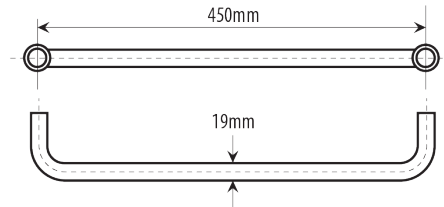
Description	Diameter	Finish	Product Code	Unit of Sale
450mm Door Handle	19mm	Polished Chrome	JH01EPC	Back to Back Set
450mm Door Handle	19mm	Satin Chrome	JH01ESC	Back to Back Set



## 305mm Towel Bar

Constructed of heavy wall SUS 304 stainless steel tubing. 305mm long with a handle diameter of 19mm. 12mm to 16mm hole required in glass.

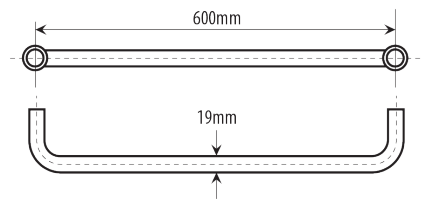
Description	Diameter	Finish	Product Code	Unit of Sale
305mm Towel Bar	19mm	Polished Chrome	JH01SAPC	Each
305mm Towel Bar	19mm	Satin Chrome	JH01SASC	Each



## 450mm Towel Bar

Constructed of heavy wall SUS 304 stainless steel tubing. 450mm long with a handle diameter of 19mm. 12mm to 16mm hole required in glass.

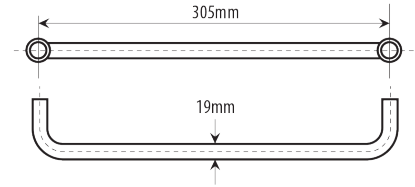
Description	Diameter	Finish	Product Code	Unit of Sale
450mm Towel Bar	19mm	Polished Chrome	JH01SBPC	Each
450mm Towel Bar	19mm	Satin Chrome	JH01SBSC	Each



## 600mm Towel Bar

Constructed of heavy wall SUS 304 stainless steel tubing. 600mm long with a handle diameter of 19mm. 12mm to 16mm hole required in glass.

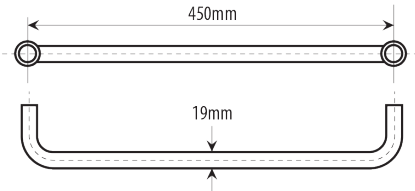
Description	Diameter	Finish	Product Code	Unit of Sale
600mm Towel Bar	19mm	Polished Chrome	JH01SCPC	Each
600mm Towel Bar	19mm	Satin Chrome	JH01SCSC	Each



### 305mm Towel Bar with Knob

Constructed of heavy wall SUS 304 stainless steel tubing. 305mm long with a handle diameter of 19mm. Knob diameter of 38mm. 12mm to 16mm hole required in glass.

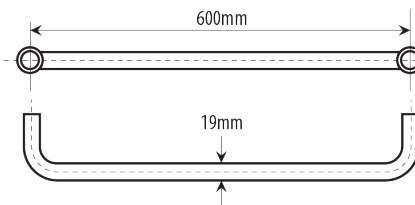
Description	Diameter	Finish	Product Code	Unit of Sale
305mm Towel Bar with Knob	19mm	Polished Chrome	JH01SKAPC	Each
305mm Towel Bar with Knob	19mm	Satin Chrome	JH01SKASC	Each



### 450mm Towel Bar with Knob

Constructed of heavy wall SUS 304 stainless steel tubing. 450mm long with a handle diameter of 19mm. Knob diameter of 38mm. 12mm to 16mm hole required in glass.

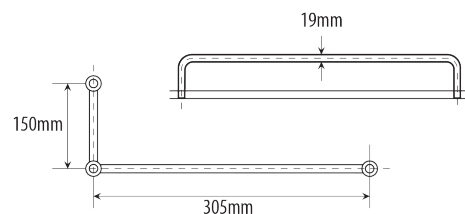
Description	Diameter	Finish	Product Code	Unit of Sale
450mm Towel Bar with Knob	19mm	Polished Chrome	JH01SKBPC	Each
450mm Towel Bar with Knob	19mm	Satin Chrome	JH01SKBSC	Each



### 600mm Towel Bar with Knob

Constructed of heavy wall SUS 304 stainless steel tubing. 600mm long with a handle diameter of 19mm. Knob diameter of 38mm. 12mm to 16mm hole required in glass.

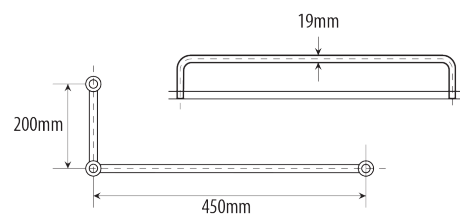
Description	Diameter	Finish	Product Code	Unit of Sale
600mm Towel Bar with Knob	19mm	Polished Chrome	JH01SKCPC	Each
600mm Towel Bar with Knob	19mm	Satin Chrome	JH01SKCSC	Each



## 305mm Pull & Towel Bar

Constructed of heavy wall SUS304 stainless steel tubing. Suitable for 6mm to 12mm thick glass. With a horizontal length of 305mm and vertical length of 150mm. Handle diameter of 19mm. 12mm to 16mm hole required in glass.

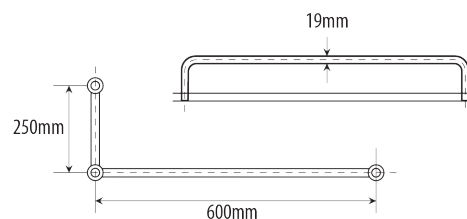
Description	Diameter	Finish	Product Code	Unit of Sale
305mm Pull & Towel Bar	19mm	Polished Chrome	JH12APC	Each
305mm Pull & Towel Bar	19mm	Satin Chrome	JH12ASC	Each



## 450mm Pull & Towel Bar

Constructed of heavy wall SUS304 stainless steel tubing. Suitable for 6mm to 12mm thick glass. With a horizontal length of 450mm and vertical length of 200mm. Handle diameter of 19mm. 12mm to 16mm hole required in glass.

Description	Diameter	Finish	Product Code	Unit of Sale
450mm Pull & Towel Bar	19mm	Polished Chrome	JH12BPC	Each
450mm Pull & Towel Bar	19mm	Satin Chrome	JH12BSC	Each



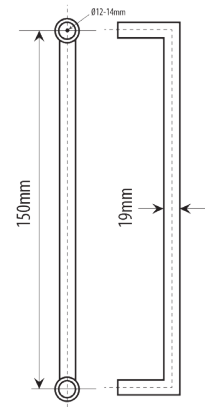
## 600mm Pull & Towel Bar

Constructed of heavy wall SUS304 stainless steel tubing. Suitable for 6mm to 12mm thick glass. With a horizontal length of 600mm and vertical length of 250mm. Handle diameter of 19mm. 12mm to 16mm hole required in glass.

Description	Diameter	Finish	Product Code	Unit of Sale
600mm Pull & Towel Bar	19mm	Polished Chrome	JH12CPC	Each
600mm Pull & Towel Bar	19mm	Satin Chrome	JH12CSC	Each

### 150mm Door Handle

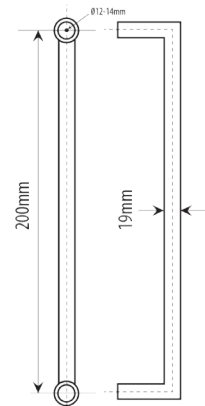
A 19mm square stainless steel handle with a horizontal length of 150mm. 12mm to 16mm hole required in glass.



Description	Tube	Finish	Product Code	Unit of Sale
150mm Door Handle	19mm Square Tube	Polished Stainless	JH01SQ150PSS	Back to Back Set
150mm Door Handle	19mm Square Tube	Brushed Stainless	JH01SQ150SSS	Back to Back Set
150mm Door Handle	19mm Square Tube	Matte Black	JH01SQ150MB	Each

### 200mm Door Handle

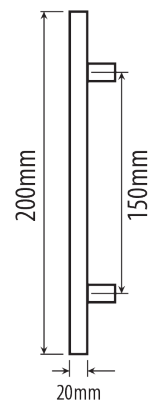
A 19mm square stainless steel handle with a horizontal length of 200mm. 12mm to 16mm hole required in glass.



Description	Tube	Finish	Product Code	Unit of Sale
200mm Door Handle	19mm Square Tube	Polished Stainless	JH01SQ200PSS	Each
200mm Door Handle	19mm Square Tube	Brushed Stainless	JH01SQ200SSS	Each
200mm Door Handle	19mm Square Tube	Matte Black	JH01SQ200MB	Back to Back Set

### Pull Handle with Knob

Made of solid stainless steel SUS3040. For internal use in a 304 stainless steel finish. 12mm to 16mm hole required in glass.

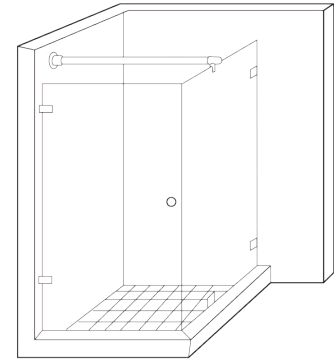


Description	Finish	Product Code	Unit of Sale
Pull Handle with Knob	Satin Stainless Steel	JH26SK	Back to Back Set



# Support Bars

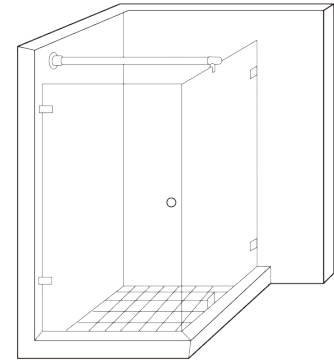
Hardware & Kits



### Wall Mount Reinforcement Bar

Made from SUS 304 Stainless Steel. Suitable for 6mm to 12mm thick glass. Supplied with 1 wall mount, 1 bar clamp and 1 reinforcement bar at 1200mm.

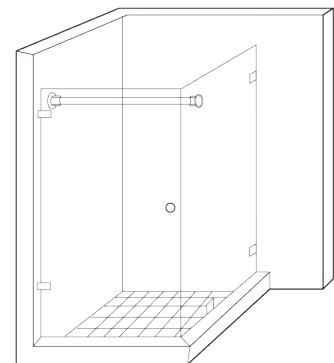
Description	Finish	Code	Unit of Sale
Wall Mount Reinforcement Bar	Polished Chrome	JRB12.1BPC	Each
Wall Mount Reinforcement Bar	Satin Chrome	JRB12.1BSC	Each



### Wall Mount Reinforcement Bar

Made from SUS 304 Stainless Steel. Suitable for 6mm to 12mm thick glass. Supplied with 1 wall mount, 1 bar clamp and 1 reinforcement bar at 1200mm.

Description	Finish	Code	Unit of Sale
Wall Mount Reinforcement Bar	Polished Chrome	JRB12.1APC	Each

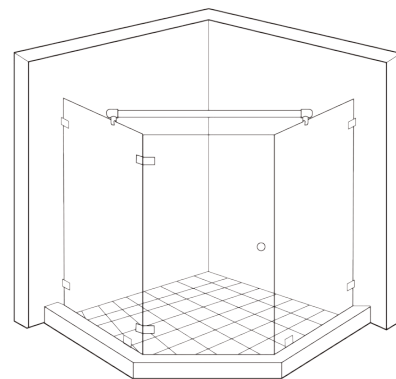


### Wall Mount Reinforcement Bar

Made from SUS 304 Stainless Steel. Suitable for 6mm to 12mm thick glass. Supplied with 1 wall mount, 1 bar clamp and 1 reinforcement bar at 1200mm. A 20mm diameter hole is required in the glass.

Description	Finish	Code	Unit of Sale
Wall Mount Reinforcement Bar	Polished Chrome	JRB12.1CPC	Each
Wall Mount Reinforcement Bar	Satin Chrome	JRB12.1CSC	Each





### 1224mm Glass to Glass Reinforcement Bar

Made from SUS 304 Stainless Steel. Suitable for 6mm to 12mm thick glass. Supplied with 2 glass clamps and 1 reinforcement bar at 1200mm.

Description	Finish	Code	Unit of Sale
1224mm Glass to Glass Reinforcement Bar	Polished Chrome	JRB12.2BPC	Each
1224mm Glass to Glass Reinforcement Bar	Satin Chrome	JRB12.2BSC	Each

### 415mm Reinforcing Bar with Swivel Fittings

Swivel Fitting for mounting on the wall or glass, which means that this support bar can be placed at virtually any angle. Suitable for 8mm to 10mm thick glass.



Description	Finish	Code	Unit of Sale
415mm Reinforcing Bar with Swivel Fittings	Polished Chrome	JRB96PC	Each



### Telescopic Reinforcement Bar

Telescopic shower reinforcement bar. Extendable from 800mm to 1000mm. Suitable for 8mm to 10mm thick glass.

Description	Finish	Code	Unit of Sale
Telescopic Reinforcement Bar 800 - 1000mm	Polished Chrome	JRB91PC	Each

### 45° Telescopic Reinforcement Bar

45 degree wall to glass telescopic shower reinforcement bar. Extendable from 290mm to 500mm. Suitable for 8mm to 10mm thick glass.



Description	Finish	Code	Unit of Sale
45 Degree Telescopic Reinforcement Bar	Polished Chrome	JRB95PC	Each

### Telescopic Support Bar with Swivel Fittings

Swivel Fitting for mounting on the wall or glass, which means that this support bar can be placed at virtually any angle. Extendable from 290mm to 480mm. Suitable for 8mm to 10mm thick glass.



Description	Finish	Code	Unit of Sale
Telescopic Support Bar with Swivel Fittings	Polished Chrome	JRB114PC	Each



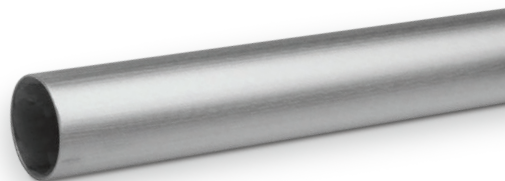
### 1200mm Square Bar with Swivel Fittings

Made from SUS 304 Stainless Steel. 1200mm long. Bar can be cut to the desired length. Supplied with swivel fittings for use on 8mm to 12mm thick glass.

Description	Finish	Code	Unit of Sale
1200mm Square Support Bar & Swivel Fittings	Matte Black	JRB224BL	Kit

### 1200mm x 19mm Reinforcement Tube

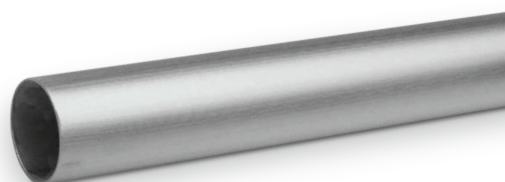
Made from SUS 304 Stainless Steel. 1200mm long with a diameter of 19mm.



Description	Finish	Code	Unit of Sale
1200mm x 19mm Reinforcement Bar	Polished Chrome	JRB1912PC	1.2 Metre
1200mm x 19mm Reinforcement Bar	Satin Chrome	JRB1912SC	1.2 Metre

### 1500mm x 19mm Reinforcement Tube

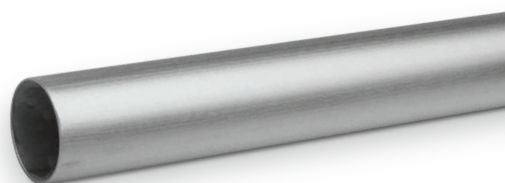
Made from SUS 304 Stainless Steel. 1500mm long with a diameter of 19mm.



Description	Finish	Code	Unit of Sale
1500mm x 19mm Reinforcement Bar	Polished Chrome	JRB1915PC	1.5 Metre
1500mm x 19mm Reinforcement Bar	Satin Chrome	JRB1915SC	1.5 Metre

### 3000mm x 19mm Reinforcement Tube

Made from SUS 304 Stainless Steel. 3000mm long with a diameter of 19mm.



Description	Finish	Code	Unit of Sale
3000mm x 19mm Reinforcement Bar	Polished Chrome	JRB1930PC	3 Metre
3000mm x 19mm Reinforcement Bar	Satin Chrome	JRB1930SC	3 Metre

### Reinforcement Bar Clamp

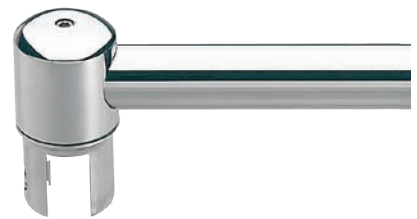
Made from SUS 304 Stainless Steel. Suitable for 6mm to 12mm thick glass. For use with the 1200mm, 1500mm or 3000mm reinforcement bars.



Description	Finish	Code	Unit of Sale
Reinforcement Bar Clamp	Polished Chrome	JRB1220APC	Each
Reinforcement Bar Clamp	Satin Chrome	JRB1220ASC	Each

### Reinforcement Bar 360° Clamp

Made from SUS 304 Stainless Steel. Suitable for 6mm to 12mm thick glass. For use with the 1200mm, 1500mm or 3000mm reinforcement bars.



Description	Finish	Code	Unit of Sale
Reinforcement Bar 360 Degree Clamp	Polished Chrome	JRB1220BPC	Each
Reinforcement Bar 360 Degree Clamp	Satin Chrome	JRB1220BSC	Each

### Reinforcement Bar Glass Mount

Made from SUS 304 Stainless Steel. Suitable for 6mm to 12mm thick glass. For use with the 1200mm, 1500mm or 3000mm reinforcement bars. A 20mm diameter hole is required in the glass.



Description	Finish	Code	Unit of Sale
Reinforcement Bar Glass Mount	Polished Chrome	JRB1220CPC	Each
Reinforcement Bar Glass Mount	Satin Chrome	JRB1220CSC	Each

## Reinforcement Bar Wall Mount

Made from SUS 304 Stainless Steel. Suitable for 6mm to 12mm thick glass. For use with the 1200mm, 1500mm or 3000mm reinforcement bars.



Description	Finish	Code	Unit of Sale
Reinforcement Bar Wall Mount	Polished Chrome	JRB1210PC	Each
Reinforcement Bar Wall Mount	Satin Chrome	JRB1210SC	Each

## Reinforcement Bar Through Clamp

Made from SUS 304 Stainless Steel. Suitable for 6mm to 12mm thick glass. For use with the 1200mm, 1500mm or 3000mm reinforcement bars.



Description	Finish	Code	Unit of Sale
Reinforcement Bar Through Clamp	Polished Chrome	JRB1211APC	Each
Reinforcement Bar Through Clamp	Satin Chrome	JRB1211ASC	Each

## Reinforcement Bar Clamp

Made from SUS 304 Stainless Steel. Suitable for 6mm to 12mm thick glass. For use with the 1200mm, 1500mm or 3000mm reinforcement bars.



Description	Finish	Code	Unit of Sale
Reinforcement Bar Clamp	Polished Chrome	JRB1213PC	Each
Reinforcement Bar Clamp	Satin Chrome	JRB1213SC	Each

### Reinforcement Bar End Cap Holder - Left

Made from SUS 304 Stainless Steel. Suitable for 6mm to 12mm thick glass. For use with the 1200mm, 1500mm or 3000mm reinforcement bars.



Description	Finish	Code	Unit of Sale
Reinforcement Bar End Cap Holder - Left	Polished Chrome	JRB1212LPC	Each
Reinforcement Bar End Cap Holder - Left	Satin Chrome	JRB1212LSC	Each

### Reinforcement Bar End Cap Holder - Right

Made from SUS 304 Stainless Steel. Suitable for 6mm to 12mm thick glass. For use with the 1200mm, 1500mm or 3000mm reinforcement bars.



Description	Finish	Code	Unit of Sale
Reinforcement Bar End Cap Holder - Right	Polished Chrome	JRB1212RPC	Each
Reinforcement Bar End Cap Holder - Right	Satin Chrome	JRB1212RSC	Each

### Reinforcement Bar Stopper

Made from SUS 304 Stainless Steel. Suitable for 6mm to 12mm thick glass. For use with the 1200mm, 1500mm or 3000mm reinforcement bars.



Description	Finish	Code	Unit of Sale
Reinforcement Bar Stopper	Polished Chrome	JRB1214PC	Each
Reinforcement Bar Stopper	Satin Chrome	JRB1214SC	Each

### Reinforcement Bar Right Angle Joiner

Made from SUS 304 Stainless Steel. Suitable for 6mm to 12mm thick glass. For use with the 1200mm, 1500mm or 3000mm reinforcement bars.



Description	Finish	Code	Unit of Sale
Reinforcement Bar Right Angle Joiner	Polished Chrome	JRB1241LPC	Each

### Reinforcement Bar 20° Wall Mount

Made from SUS 304 Stainless Steel. Suitable for 6mm to 12mm thick glass. For use with the 1200mm, 1500mm or 3000mm reinforcement bars.



Description	Finish	Code	Unit of Sale
Reinforcement Bar 20 Degree Wall Mount	Polished Chrome	JRB1230APC	Each
Reinforcement Bar 20 Degree Wall Mount	Satin Chrome	JRB1230ASC	Each

### Reinforcement Bar 45° Wall Mount

Made from SUS 304 Stainless Steel. Suitable for 6mm to 12mm thick glass. For use with the 1200mm, 1500mm or 3000mm reinforcement bars.



Description	Finish	Code	Unit of Sale
Reinforcement Bar 45 Degree Wall Mount	Polished Chrome	JRB1230BPC	Each
Reinforcement Bar 45 Degree Wall Mount	Satin Chrome	JRB1230BSC	Each

### Reinforcement Bar Connector

Made from SUS 304 Stainless Steel. Suitable for 6mm to 12mm thick glass.



Description	Finish	Code	Unit of Sale
Reinforcement Bar Connector	Polished Chrome	JRB1221PC	Each
Reinforcement Bar Connector	Satin Chrome	JRB1221SC	Each

### Reinforcement Bar 3 Way Connector

Made from SUS 304 Stainless Steel. Suitable for 6mm to 12mm thick glass.



Description	Finish	Code	Unit of Sale
Reinforcement Bar 3 Way Connector	Polished Chrome	JRB1233PC	Each
Reinforcement Bar 3 Way Connector	Satin Chrome	JRB1233SC	Each

### Reinforcement Bar Universal Joint

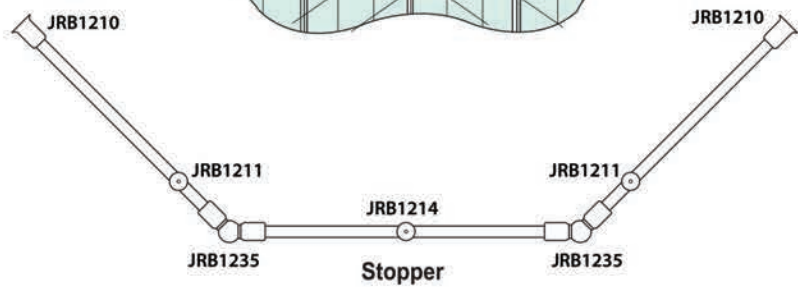
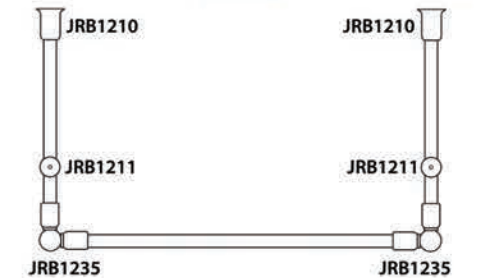
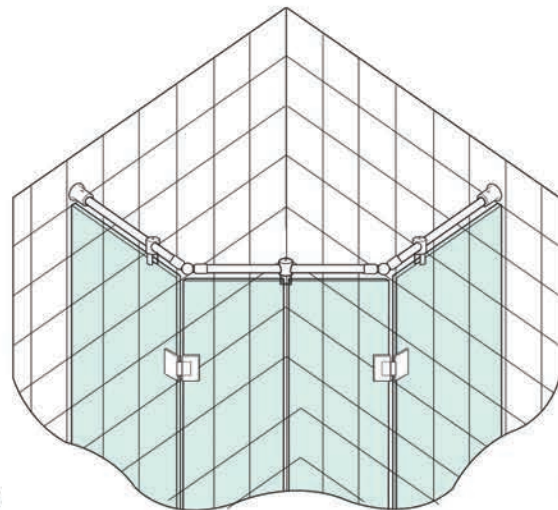
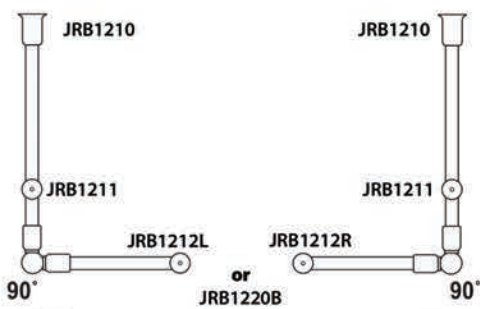
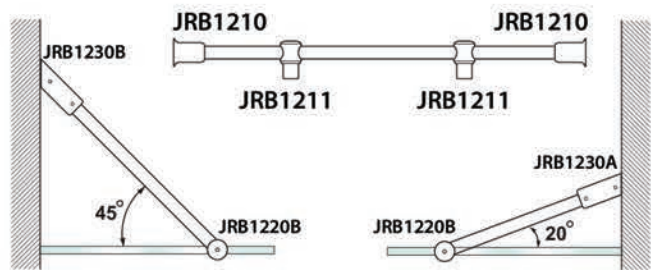
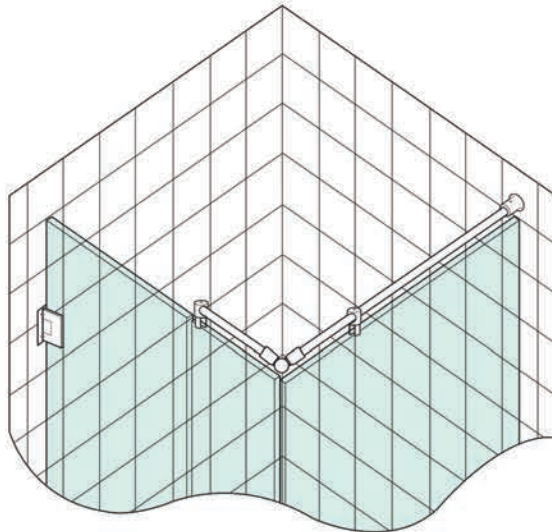
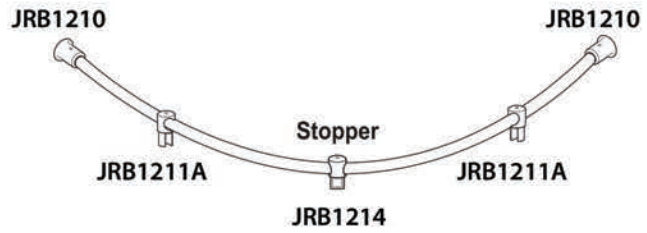
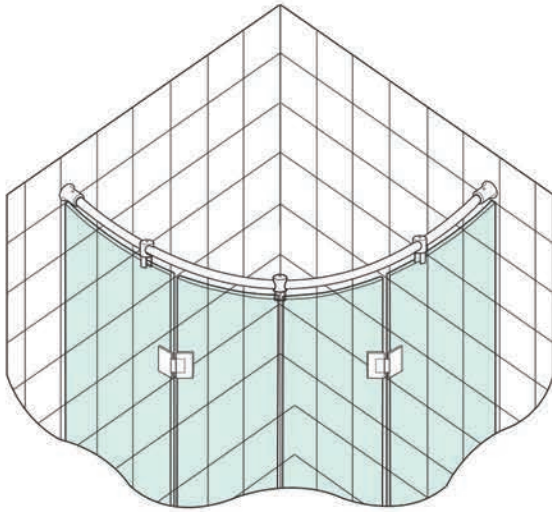
Made from SUS 304 Stainless Steel. Suitable for 6mm to 12mm thick glass.



Description	Finish	Code	Unit of Sale
Reinforcement Bar Universal Joint	Polished Chrome	JRB1235PC	Each
Reinforcement Bar Universal Joint	Satin Chrome	JRB1235SC	Each



## Typical Applications



### Swivel Wall Connector for 19mm Tube

Made from SUS 304 Stainless Steel. Suitable for 6mm to 12mm thick glass.



Description	Finish	Code	Unit of Sale
Swivel Wall Connector for 19mm Tube	Polished Chrome	JRB92PC	Each

### Swivel Glass Connector for 19mm Tube

Made from SUS 304 Stainless Steel. Suitable for 6mm to 12mm thick glass.



Description	Finish	Code	Unit of Sale
Swivel Wall Connector for 19mm Tube	Polished Chrome	JRB93PC	Each

### 90° Corner Connector

Suitable For 8 - 10mm Thick Glass. No holes are required in the glass.



Description	Finish	Code	Unit of Sale
90 Degree Corner Connector	Polished Chrome	JRB97PC	Each

### 1.3 Metre Square Reinforcement Bar

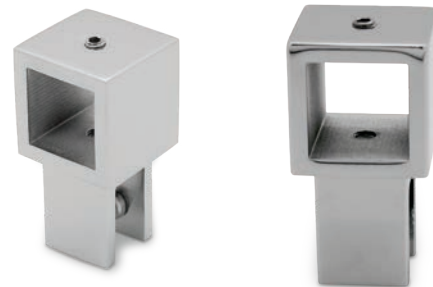
1.3 metre long 19mm x 19mm square type reinforcing bar in polished chrome. Suitable for use with all support bar fittings in the SQ range.



Description	Finish	Code	Unit of Sale
1.3 Metre Square Reinforcement Bar	Polished Chrome	JRBSQ39APC	1.3 Metre
1.3 Metre Square Reinforcement Bar	Satin Chrome	JRBSQ39ASC	1.3 Metre

### Square Glass to Reinforcing Bar Mount

19mm x 19mm square type reinforcing bar bracket in polished chrome. Used to attach the glass to the support bar. Suitable for use with all support bar fittings in the SQ range.



Description	Finish	Code	Unit of Sale
Square Glass to Reinforcing Bar Mount	Polished Chrome	JRBSQ45PC	Each
Square Glass to Reinforcing Bar Mount	Brushed Nickel	JRBSQ45BN	Each

### Square Wall to Reinforcing Bar Mount

19mm x 19mm square type reinforcing bar bracket in polished chrome. Used to attach the wall to the support bar. Suitable for use with all support bar fittings in the SQ range.



Description	Finish	Code	Unit of Sale
Square Wall to Reinforcing Bar Mount	Polished Chrome	JRBSQ46PC	Each
Square Wall to Reinforcing Bar Mount	Satin Chrome	JRBSQ46SC	Each

### Square Support Bar to Glass Clamp

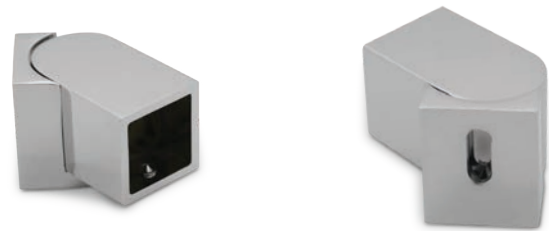
19mm x 19mm square type reinforcing bar bracket in polished chrome. Used to attach the support bar to the glass at varying angles. Suitable for use with all support bar fittings in the SQ range.



Description	Finish	Code	Unit of Sale
Square Support Bar to Glass Clamp	Polished Chrome	JRBSQ47PC	Each
Square Support Bar to Glass Clamp	Satin Chrome	JRBSQ47SC	Each

### Square Wall to Reinforcing Bar Pivot

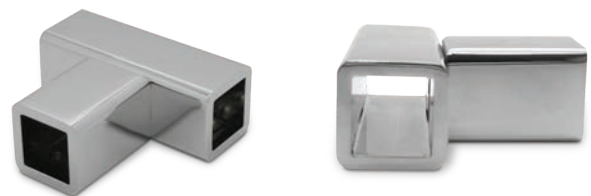
19mm x 19mm square type reinforcing bar bracket in polished chrome. Used to attach the support bar to the glass at varying angles. Suitable for use with all support bar fittings in the SQ range.



Description	Finish	Code	Unit of Sale
Square Wall to Reinforcing Bar Pivot	Polished Chrome	JRBSQ49PC	Each
Square Wall to Reinforcing Bar Pivot	Brushed Nickel	JRBSQ49BN	Each

### T Junction for Square Reinforcing Bar

19 x 19mm square type reinforcing bar bracket in polished chrome. Used to join the support bar at 90 degrees to the other. Suitable for use with all support bar fittings in the SQ range.



Description	Finish	Code	Unit of Sale
T Junction for Square Reinforcing Bar	Polished Chrome	JRBSQ50PC	Each

### Square Reinforcing Bar 90° Joiner

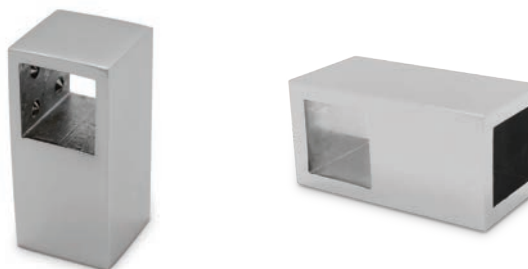
19 x 19mm square type reinforcing bar bracket in polished chrome. Suitable for use with all support bar fittings in the SQ range.



Description	Finish	Code	Unit of Sale
Square Reinforcing Bar 90 Degree Joiner	Polished Chrome	JRBSQ51PC	Each
Square Reinforcing Bar 90 Degree Joiner	Brushed Nickel	JRBSQ51BN	Each

### Square Reinforcing Bar T Joiner

19 x 19mm square type reinforcing bar bracket in polished chrome. Suitable for use with all support bar fittings in the SQ range.



Description	Finish	Code	Unit of Sale
Square Reinforcing Bar T Joiner	Polished Chrome	JRBSQ52PC	Each
Square Reinforcing Bar T Joiner	Brushed Nickel	JRBSQ52BN	Each



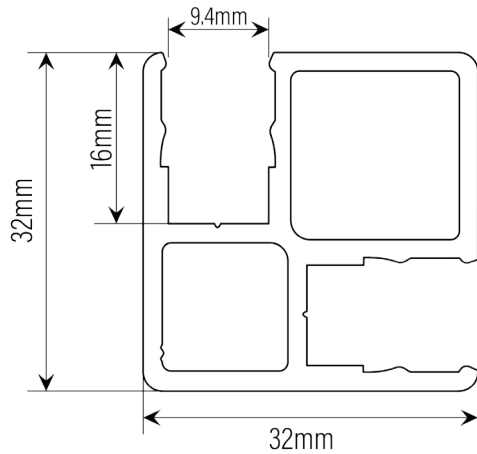
### 1200mm Square Bar with Swivel Fittings

Made from SUS 304 Stainless Steel. 1200mm long. Supplied with swivel fittings for use on 8mm to 12mm thick glass.

Description	Finish	Code	Unit of Sale
1200mm Square Support Bar & Swivel Fittings	Matte Black	JRB224BL	Kit



# Fixed Panel Floor To Ceiling Posts



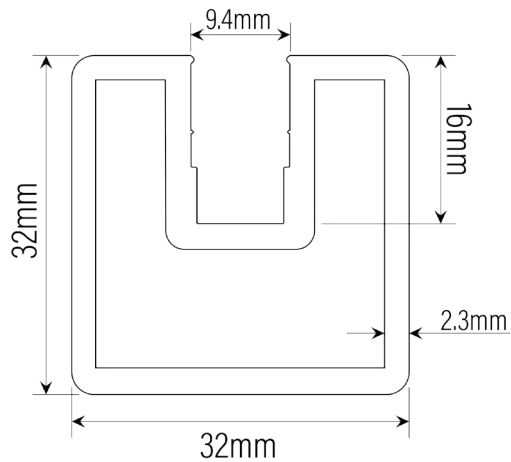
### 90° Panel Floor to Ceiling Post - 8mm

Modern, sleek design, that is quick and simple to use. With easy cutting and invisible fixings. Suitable for 8mm thick glass. Standard height 2.8 Metres.



Description	Glass Size	Finish	Product Code	Unit of Sale
90 Degree Floor to Ceiling Post	8mm	Matte Black	JRB.FPAP.08.MB	2.8 Metres
90 Degree Floor to Ceiling Post	8mm	Polished Aluminium	JRB.FPAP.08.PA	2.8 Metres





### Fixed Panel Floor To Ceiling Post - 8mm

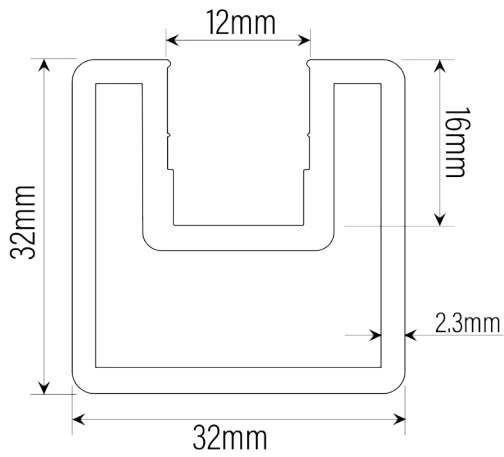
Modern, sleek design, that is quick and simple to use. With easy cutting and invisible fixings.  
Suitable for 8mm thick glass.  
Standard height 2.8 Metres.



Description	Glass Size	Finish	Product Code	Unit of Sale
Fixed Panel Floor to Ceiling Post	8mm	Matte Black	JRB.FPEP.08.MB	2.8 Metres
Fixed Panel Floor to Ceiling Post	8mm	Polished Aluminium	JRB.FPEP.08.PA	2.8 Metres







### Fixed Panel Floor To Ceiling Post - 10mm

Modern, sleek design, that is quick and simple to use. With easy cutting and invisible fixings. Suitable for 10mm thick glass. Standard height 2.8 Metres.



Description	Glass Size	Finish	Product Code	Unit of Sale
Fixed Panel Floor to Ceiling Post	10mm	Matte Black	JRB.FPEP.10.MB	2.8 Metres
Fixed Panel Floor to Ceiling Post	10mm	Polished Aluminium	JRB.FPEP.10.PA	2.8 Metres

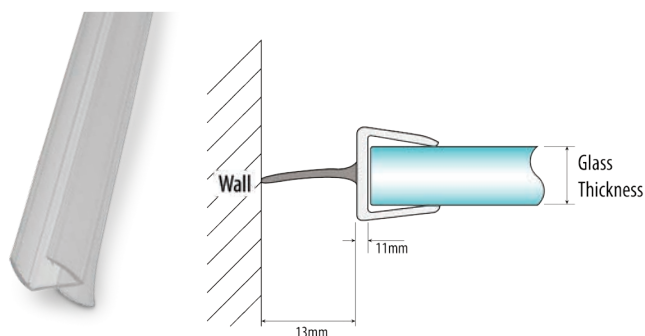




# Shower Seals & Thresholds

### Bottom Rail

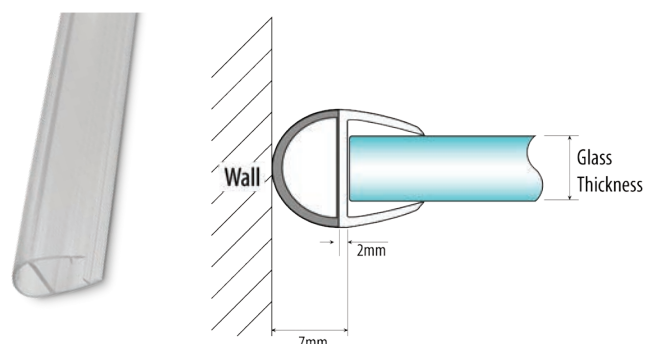
For use on glass door installations of 6mm to 12mm thick glass. 13mm Soft vinyl helps cushion door closure and reduce noise. Colour: Translucent



Description	Glass Thickness	Product Code	Unit of Sale
Bottom Rail	6mm	JP06BR	2.2 Metres
Bottom Rail	8mm	JP08BR	2.2 Metres
Bottom Rail	10mm	JP10BR	2.2 Metres
Bottom Rail	12mm	JP12BR	2.2 Metres

### Bubble Seal

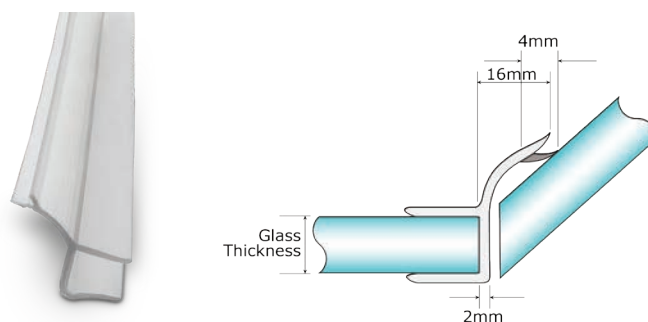
Snap on to door edge to achieve a seal. For use on glass door installations of 6mm to 12mm thick glass. Colour: Translucent



Description	Glass Thickness	Product Code	Unit of Sale
Bubble Seal	6mm	JP06BS	2.2 Metres
Bubble Seal	8mm	JP08BS	2.2 Metres
Bubble Seal	10mm	JP10BS	2.2 Metres
Bubble Seal	12mm	JP12BS	2.2 Metres

### Door Jamb Seal

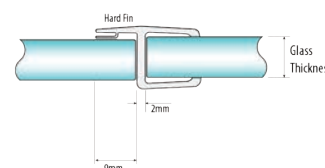
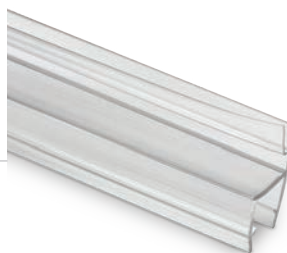
Snap on to door edge to achieve a seal. For 135° glass to glass door installations of 6mm to 12mm thick glass. Colour: Translucent



Description	Glass Thickness	Product Code	Unit of Sale
Door Jamb Seal	6mm	JP06DJ	2.2 Metres
Door Jamb Seal	8mm	JP08DJ	2.2 Metres
Door Jamb Seal	10mm	JP10DJ	2.2 Metres
Door Jamb Seal	12mm	JP12DJ	2.2 Metres

### H Jamb Seal - Hard Fin

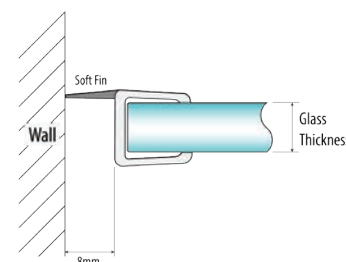
Snap on door jamb seal with 9mm hard fin to achieve a seal. For 180° glass to glass door installations of 6mm to 12mm thick glass. Colour: Translucent



Description	Glass Thickness	Product Code	Unit of Sale
H Jamb Seal - Hard Fin	6mm	JP06HJ	2.2 Metres
H Jamb Seal - Hard Fin	8mm	JP08HJ	2.2 Metres
H Jamb Seal - Hard Fin	10mm	JP10HJ	2.2 Metres
H Jamb Seal - Hard Fin	12mm	JP12HJ	2.2 Metres

### H Jamb Seal - 8mm Soft Fin

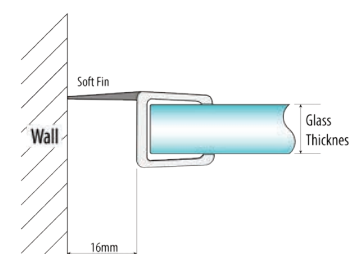
For use on 180° inline glass-to-glass installations. Suitable for 6mm to 12mm thick glass. Snaps onto the fixed panel with the lip on the strike side. 8mm Soft vinyl fin helps cushion door closure and reduce noise. Colour: Translucent



Description	Glass Thickness	Product Code	Unit of Sale
H Jamb Seal - 8mm Soft Fin	6mm	JP06HJS	2.2 Metres
H Jamb Seal - 8mm Soft Fin	8mm	JP08HJS	2.2 Metres
H Jamb Seal - 8mm Soft Fin	10mm	JP10HJS	2.2 Metres
H Jamb Seal - 8mm Soft Fin	12mm	JP12HJS	2.2 Metres

### H Jamb Seal - 16mm Soft Fin

For use on 180° inline glass-to-glass installations. Suitable for 8mm to 12mm thick glass. Snaps onto the fixed panel with the lip on the strike side. 16mm Soft vinyl fin helps cushion door closure and reduce noise. Colour: Translucent

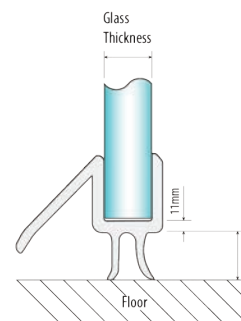


Description	Glass Thickness	Product Code	Unit of Sale
H Jamb Seal - 16mm Soft Fin	8mm	JP08HJS-16	2.2 Metres
H Jamb Seal - 16mm Soft Fin	10mm	JP10HJS.16	2.2 Metres
H Jamb Seal - 16mm Soft Fin	12mm	JP12HJS.16	2.2 Metres

### Bottom Wipe with Drip Rail

Soft wipes to create a water tight seal. 45° drip rail sheds water back into the shower stall. For use on glass door installations of 6mm to 12mm thick glass.

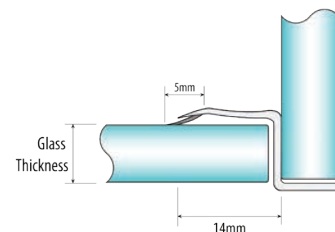
Colour: Translucent



Description	Glass Thickness	Code	Unit of Sale
Bottom Wipe with Drip Rail	6mm	JP06WDR	2.2 Metres
Bottom Wipe with Drip Rail	8mm	JP08WDR	2.2 Metres
Bottom Wipe with Drip Rail	10mm	JP10WDR	2.2 Metres
Bottom Wipe with Drip Rail	12mm	JP12WDR	2.2 Metres

### Strike Jamb Seal

Snap on to door edge to achieve a seal. For use on 90° glass to glass door installations of 6mm to 12mm thick glass. Colour: Translucent

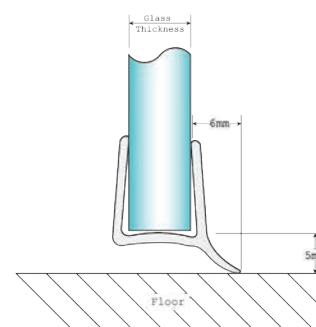


Description	Glass Thickness (T)	Code	Unit of Sale
Strike Jamb Seal	6mm	JP06SJ	2.2 Metres
Strike Jamb Seal	8mm	JP08SJ	2.2 Metres
Strike Jamb Seal	10mm	JP10SJ	2.2 Metres
Strike Jamb Seal	12mm	JP12SJ	2.2 Metres

### Seal & Wipe

Snap on to door edge to achieve a seal. For use on glass door installations of 6mm to 12mm thick glass.

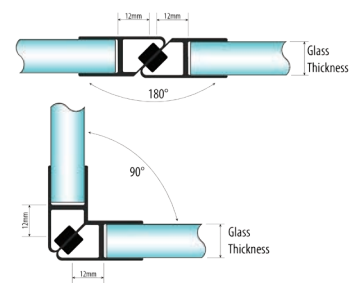
Colour: Translucent



Description	Glass Thickness	Code	Unit of Sale
Seal & Wipe	6mm	JP06SW	2.2 Metres
Seal & Wipe	8mm	JP08SW	2.2 Metres
Seal & Wipe	10mm	JP10SW	2.2 Metres
Seal & Wipe	12mm	JP12SW	2.2 Metres

### Magnetic Seals for 90° or 180° Doors

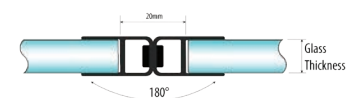
For frameless glass to close more tightly. Made of co-extruded material with soft magnetic receiver. Suitable for 8mm to 12mm thick glass. To create both 90° or 180° angles with glass. Supplied in 2200mm lengths.



Description	Door Degree	Glass	Code	Unit of Sale
Set of Magnetic Seals	90° or 180° Doors	8mm	JPG08.90.180	Set of 2
Set of Magnetic Seals	90° or 180° Doors	10mm	JPG10.90.180	Set of 2
Set of Magnetic Seals	90° or 180° Doors	12mm	JPG12.90.180	Set of 2

### Magnetic Seals for 180° Sliding Doors

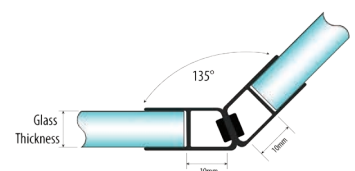
For frameless glass to close more tightly. Made of co-extruded material with soft magnetic receiver. Suitable for 10mm thick glass. To create a 180° angle with glass sliding doors. Supplied in 2200mm lengths.



Description	Door Degree	Glass	Code	Unit of Sale
Set of Magnetic Seals	180° Sliding Doors	10mm	JPG10.180F	Set of 2

### Magnetic Seals for 135° Doors

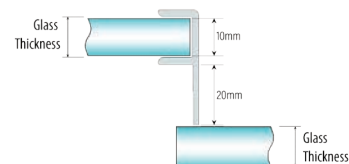
For frameless glass to close more tightly. Made of co-extruded material with soft magnetic receiver. Suitable for 8mm or 10mm thick glass. To create a 135° angle with glass. Supplied in 2200mm lengths.



Description	Door Degree	Glass	Code	Unit of Sale
Set of Magnetic Seals	135° Doors	8mm	JPG08.135	Set of 2
Set of Magnetic Seals	135° Doors	10mm	JPG10.135	Set of 2

### Side Jamb

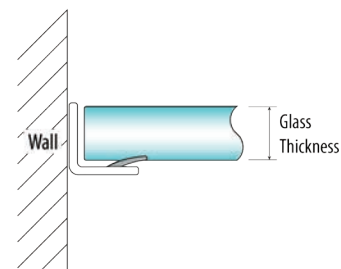
Suitable for 8mm to 10mm thick glass.  
For placement between two glass panels/doors.



Description	Glass Thickness	Code	Unit of Sale
Side Jamb Seal	8mm to 10mm	JP810SDJ	2.2 Metres

### Angle Jamb Seal

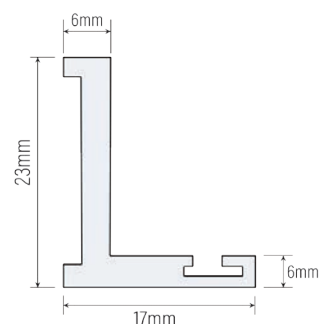
Suitable for 6mm to 12mm thick glass. For placement between the wall and the glass. This profiles needs to be fixed to the wall with a bathroom suitable adhesive.



Description	Glass Thickness	Product Code	Unit of Sale
Angle Jamb Seal	6mm to 12mm	JP612LJ	2.2 Metres

### Bright Aluminium Angle Jamb with Seal

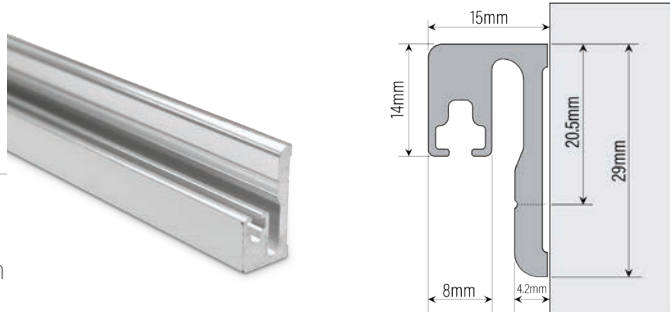
Bright aluminium angles jamb for glass. Supplied with seal to help cushion the closing of glass panels/doors.



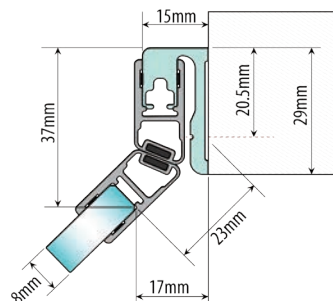
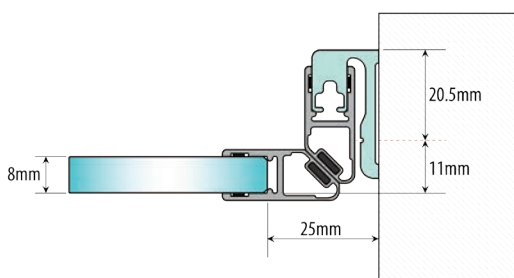
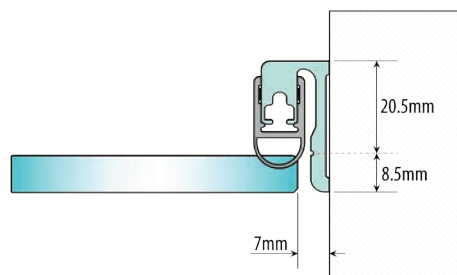
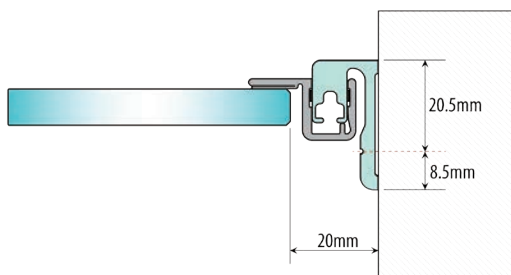
Description	Glass Thickness	Code	Unit of Sale
Side Jamb Seal	8mm to 12mm	JP001	2 Metres

### Shower Door Seal Holder Profile

This shower door seal holder allows you to mount a seal to the wall which will aid in the water tightness of the shower enclosure. The holder will accept any seal suitable for 8mm thick glass but can be used with virtually any thickness glass door.



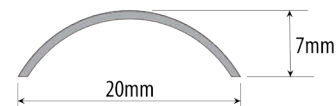
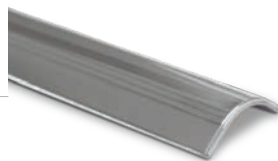
Description	Finish	Product Code	Unit of Sale
Shower Door Seal Holder Profile	Polished Aluminium	JTH-03	2010mm





## Shower Door Threshold

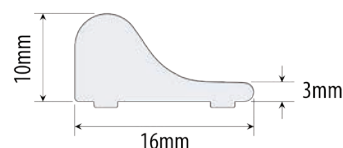
Mounted directly below the shower door to let the water drain back into the shower stall. Ideal for flat or out-sloping curbs, the rounded low contour of the half round threshold makes it comfortable and safe to stand on.



Description	Finish	Product Code	Unit of Sale
Shower Door Threshold	Mirror Polished	JTH-01	Each
Shower Door Threshold	Brushed Stainless	JTH-01SSS	Each

## Shower Door Threshold

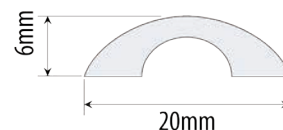
Mounted directly below the shower door to let the water drain back into the shower stall. Ideal for flat or out-sloping curbs, the rounded low contour of the half round threshold makes it comfortable and safe to stand on.



Description	Finish	Product Code	Unit of Sale
Shower Door Threshold	Polished Chrome	JTH-02	2490mm
Shower Door Threshold	Matte Black	JTH-02MBL	2490mm

## Shower Door Threshold

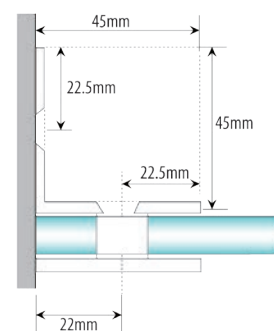
Mounted directly below the shower door to let the water drain back into the shower stall. Ideal for flat or out-sloping curbs, the rounded low contour of the half round threshold makes it comfortable and safe to stand on.



Description	Finish	Product Code	Unit of Sale
Shower Door Threshold	Polished Aluminium	JTH-04	Each



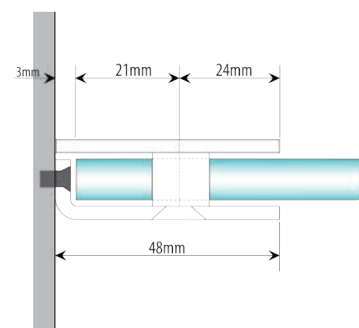
# Fixed Panel Brackets



### 45mm L Type Wall Mount Shower Fixing

Constructed of SUS 304 Stainless Steel. Each plate is 45mm x 48mm. Suitable for 6mm-12mm thick, tempered safety glass with a 16mm hole size required. Comes with gaskets, stainless steel screws and wall plugs.

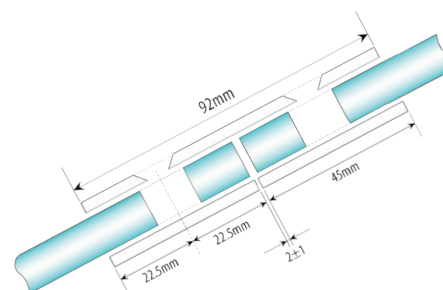
Description	Finish	Code	Unit of Sale
45mm L Type Wall Mount Shower Fixing	Polished Chrome	JGX45.1LPC	Each
45mm L Type Wall Mount Shower Fixing	Satin Chrome	JGX45.1LSC	Each



### 45mm Wall Mount Fixed Panel Glass Clamp

Constructed of SUS 304 Stainless Steel. Each plate is 45mm x 48mm. Suitable for 6mm-12mm thick, tempered safety glass with a 16mm hole size required. Comes with gaskets, stainless steel screws and wall plugs.

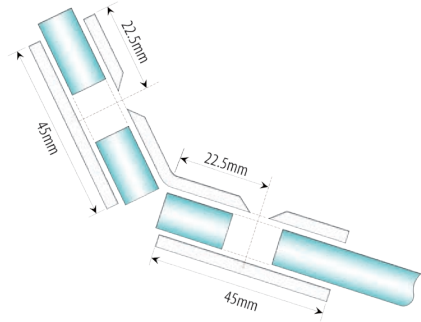
Description	Finish	Code	Unit of Sale
45mm Wall Mount Fixed Panel Glass Clamp	Polished Chrome	JGX45.1PC	Each
45mm Wall Mount Fixed Panel Glass Clamp	Satin Chrome	JGX45.1SC	Each



### 45mm 180° Glass to Glass Shower Fixing

Constructed of SUS 304 Stainless Steel. Each plate is 45mm x 48mm. Suitable for 6mm-12mm thick, tempered safety glass with a 16mm hole size required. Comes complete with gaskets.

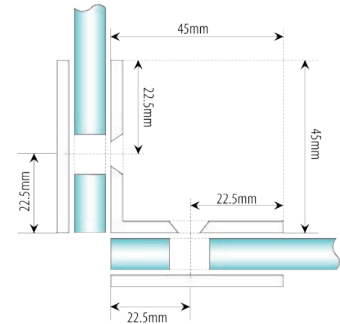
Description	Finish	Code	Unit of Sale
45mm 180° Glass to Glass Shower Fixing	Polished Chrome	JGX45.2PC	Each
45mm 180° Glass to Glass Shower Fixing	Satin Chrome	JGX45.2SC	Each



### 45mm 135° Glass to Glass Shower Fixing

Constructed of SUS 304 Stainless Steel. Each plate is 45mm x 48mm. Suitable for 6mm-12mm thick, tempered safety glass with a 16mm hole size required. Comes complete with gaskets.

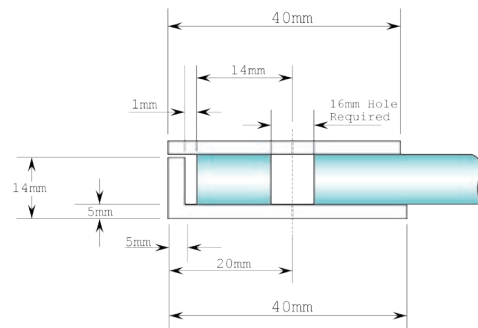
Description	Finish	Code	Unit of Sale
45mm 135° Glass to Glass Shower Fixing	Polished Chrome	JGX45.3PC	Each
45mm 135° Glass to Glass Shower Fixing	Satin Chrome	JGX45.3SC	Each



### 45mm 90° Glass to Glass Shower Fixing

Constructed of SUS 304 Stainless Steel. Each plate is 45mm x 48mm. Suitable for 6mm-12mm thick, tempered safety glass with a 16mm hole size required. Comes complete with gaskets.

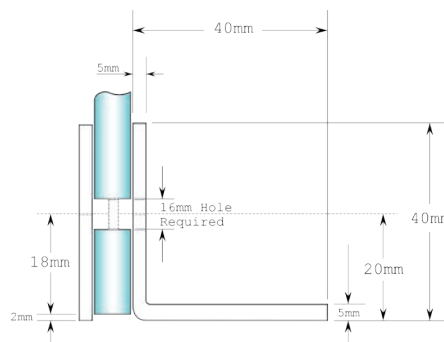
Description	Finish	Code	Unit of Sale
45mm 90° Glass to Glass Shower Fixing	Polished Chrome	JGX45.4PC	Each
45mm 90° Glass to Glass Shower Fixing	Satin Chrome	JGX45.4SC	Each



### Wall to Glass Pod Fixing

Suitable for 6mm to 10mm thick glass.

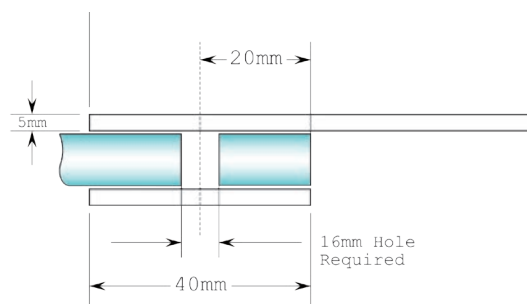
Description	Finish	Code	Unit of Sale
Wall to Glass Pod Fixing	Polished Chrome	JH701PC	Each
Wall to Glass Pod Fixing	Satin Chrome	JH701SC	Each



### Wall to Glass Pod Fixing

Suitable for 6mm to 10mm thick glass.

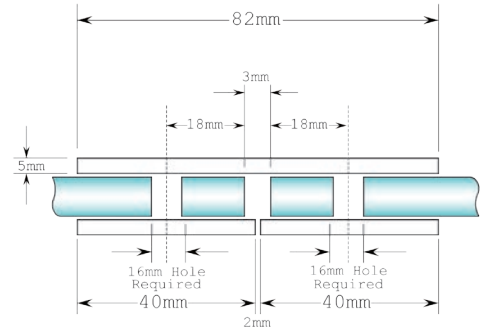
Description	Finish	Code	Unit of Sale
Wall to Glass Pod Fixing	Polished Chrome	JH702PC	Each
Wall to Glass Pod Fixing	Satin Chrome	JH702SC	Each



### Glass to Panel 180° Pod Fixing

Suitable for 6mm to 10mm thick glass.

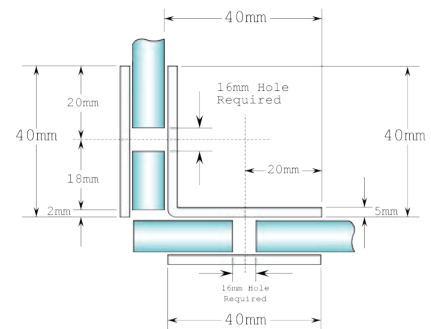
Description	Finish	Code	Unit of Sale
Glass to Panel 180° Pod Fixing	Polished Chrome	JH703PC	Each
Glass to Panel 180° Pod Fixing	Satin Chrome	JH703SC	Each



### Glass to Panel 180° Pod Fixing

180 degree glass to panel pod fixing in a polished or satin chrome. Suitable for 6mm to 10mm thick glass. 16mm hole in glass required.

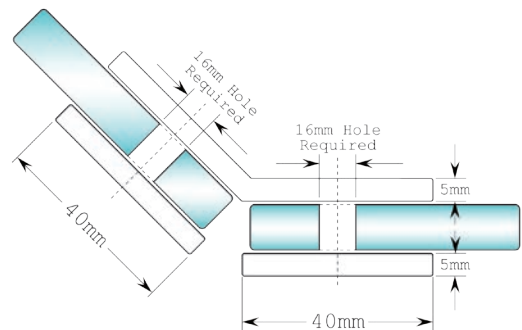
Description	Finish	Code	Unit of Sale
Glass to Panel 180° Pod Fixing	Polished Chrome	JH704PC	Each
Glass to Panel 180° Pod Fixing	Satin Chrome	JH704SC	Each



### Glass to Panel 90° Pod Fixing

90 degree glass to panel pod fixing in a polished or satin chrome. Suitable for 6mm to 10mm thick glass. 16mm hole in glass required.

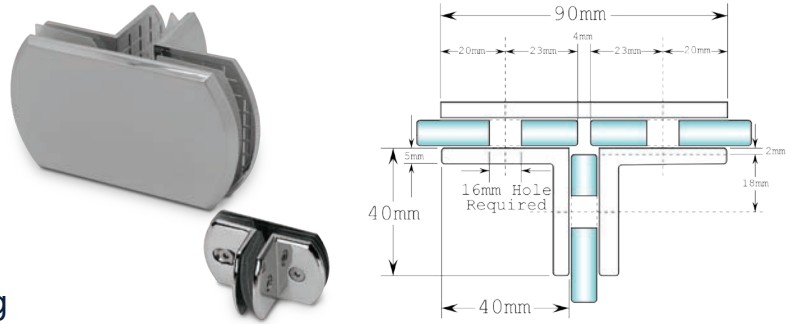
Description	Finish	Code	Unit of Sale
Glass to Panel 90° Pod Fixing	Polished Chrome	JH705PC	Each
Glass to Panel 90° Pod Fixing	Satin Chrome	JH705SC	Each



### Glass to Panel 135° Pod Fixing

135 degree glass to panel pod fixing in a polished or satin chrome. Suitable for 6mm to 10mm thick glass. 16mm hole in glass required.

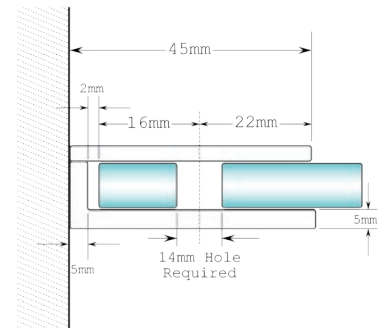
Description	Finish	Code	Unit of Sale
Glass to Panel 135° Pod Fixing	Polished Chrome	JH706PC	Each
Glass to Panel 135° Pod Fixing	Satin Chrome	JH706SC	Each



### Glass to Glass Three Way Pod Fixing

Three way glass to glass pod fixing in a polished or satin chrome. Suitable for 6mm to 10mm thick glass. 16mm hole in glass required.

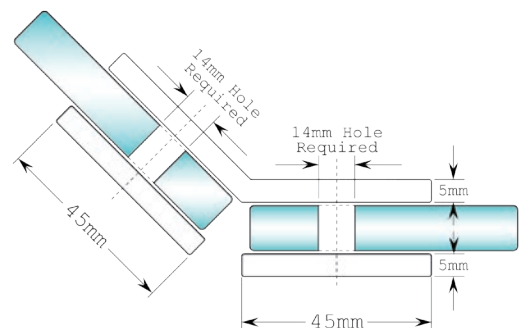
Description	Finish	Code	Unit of Sale
Glass to Glass Three Way Pod Fixing	Polished Chrome	JH707PC	Each
Glass to Glass Three Way Pod Fixing	Satin Chrome	JH707SC	Each



### Wall to Glass Fixing

Wall to glass fixing in a matte black, polished or satin chrome finish. Suitable for 8mm to 12mm thick glass. 14mm hole in glass required.

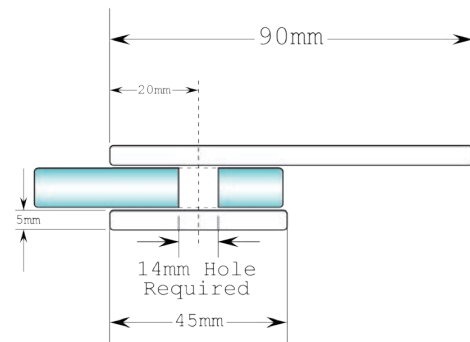
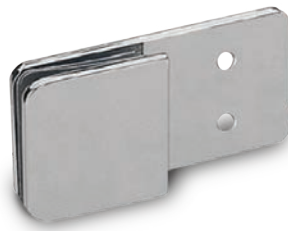
Description	Finish	Code	Unit of Sale
Wall to Glass Fixing	Polished Chrome	JH721PC	Each
Wall to Glass Fixing	Satin Chrome	JH721SC	Each
Wall to Glass Fixing	Matte Black	JH721SQBL	Each



### 135° Glass to Glass Fixing

135 degree glass to glass fixing in a polished or satin chrome finish. Suitable for 8mm to 12mm thick glass. 14mm hole in glass required.

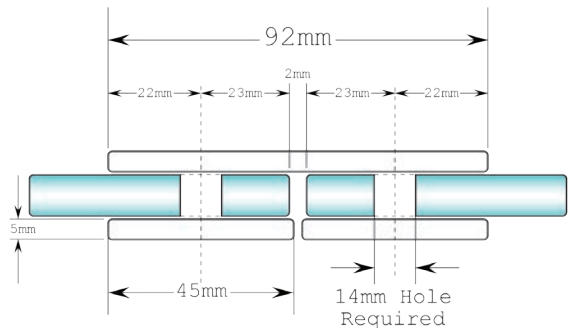
Description	Finish	Code	Unit of Sale
135° Glass to Glass Fixing	Polished Chrome	JH722PC	Each
135° Glass to Glass Fixing	Satin Chrome	JH722SC	Each



### Wall to Glass Fixing

Wall to glass fixing in a polished or satin chrome finish. Suitable for 8mm to 12mm thick glass. 14mm hole in glass required.

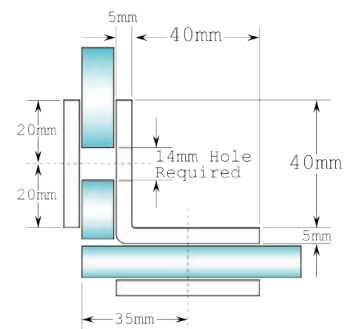
Description	Finish	Code	Unit of Sale
Wall to Glass Fixing	Polished Chrome	JH723PC	Each
Wall to Glass Fixing	Satin Chrome	JH723SC	Each



### Glass to Glass Fixing

Glass to glass fixing in a matte black, polished or satin chrome finish. Suitable for 8mm to 12mm thick glass. 14mm hole in glass required.

Description	Finish	Code	Unit of Sale
Glass to Glass Fixing	Polished Chrome	JH724PC	Each
Glass to Glass Fixing	Satin Chrome	JH724SC	Each
Glass to Glass Fixing	Matte Black	JH724SQBL	Each

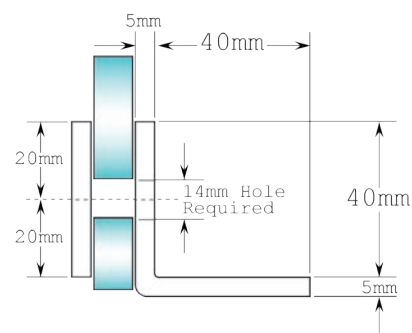


### 90° Glass to Glass Fixing

90 degree glass to glass fixing in a matte black, polished or satin chrome finish. Suitable for 8mm to 12mm thick glass. 14mm hole in glass required.

Description	Finish	Code	Unit of Sale
90° Glass to Glass Fixing	Polished Chrome	JH725PC	Each
90° Glass to Glass Fixing	Satin Chrome	JH725SC	Each
90° Glass to Glass Fixing	Matte Black	JH725SQBL	Each

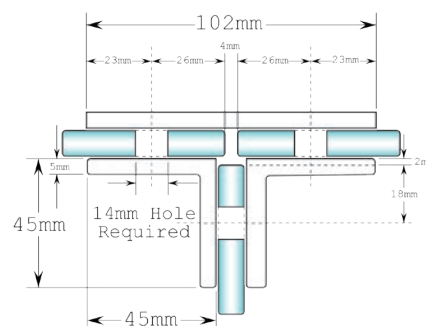




### 90° Wall to Glass Fixing

90 degree wall to glass fixing in a matte black, polished or satin chrome finish. Suitable for 8mm to 12mm thick glass. 14mm hole in glass required.

Description	Finish	Code	Unit of Sale
90° Wall to Glass Fixing	Polished Chrome	JH726PC	Each
90° Wall to Glass Fixing	Satin Chrome	JH726SC	Each
90° Wall to Glass Fixing	Matte Black	JH726SQBL	Each



### T Shaped Glass to Glass Fixing

Used to fix two glass panels joined at 90° and 180°. Suitable for 8mm to 10mm thick glass. This glass to glass bracket is specially designed to provide glass fixing in three different directions.

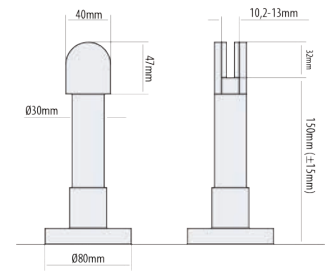
Description	Finish	Code	Unit of Sale
T Shaped Glass to Glass Fixing	Polished Chrome	JH727PC	Each
T Shaped Glass to Glass Fixing	Satin Chrome	JH727SC	Each



# Commercial Glass Shower Cubicle System

## Adjustable Foot

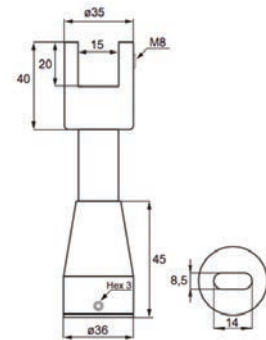
Constructed of stainless steel AISI 316L. It should be fixed to the floor by means of the fixing rose. The glass is blocked between the two parts of the foot. Height variable from 135mm to 165mm. It is not necessary to drill the glass panel.



Description	Finish	Code	Unit of Sale
Adjustable Foot	Satin Stainless Steel	KP550	Each

## Adjustable Pod Leg

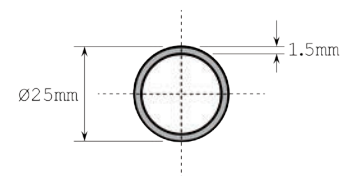
Suitable for 8mm to 12mm thick glass. Glass is held a minimum of 100mm off the base and can be adjusted upwards by approximately 12mm.



Description	Finish	Code	Unit of Sale
Adjustable Pod Leg	Satin Stainless Steel	KP600	Each

## Upper Rail

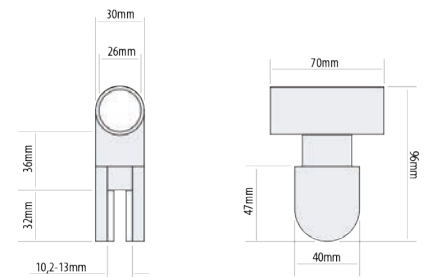
Constructed of stainless steel AISI 316L. Supplied in 3 metre lengths.



Description	Finish	Code	Unit of Sale
Upper Rail	Satin Stainless Steel	KP560	3 Metres

### Upper Panel Holder

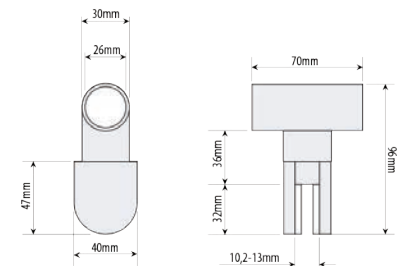
Constructed of stainless steel AISI 316L. It should be slipped on the upper rail tube. The glass is blocked between the two parts of the panel holder. It is not necessary to drill the glass panel.



Description	Finish	Code	Unit of Sale
Upper Panel Holder	Satin Stainless Steel	KP551	Each

### Upper Panel Holder

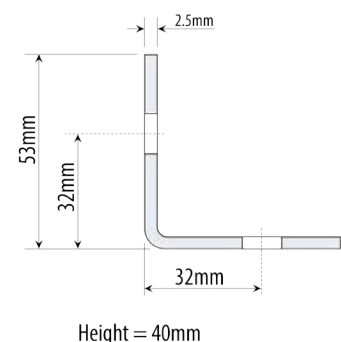
Constructed of stainless steel AISI 316L. It should be slipped on the upper rail tube. The glass is blocked between the two parts of the panel holder. It is not necessary to drill the glass panel.



Description	Finish	Code	Unit of Sale
Upper Panel Holder	Satin Stainless Steel	KP551B	Each

### Angle Bracket

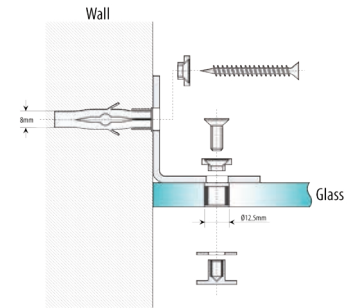
Constructed of stainless steel AISI 316L. Used to fix two panels together or to fix the panel to the wall. Allows adjusting tolerances between wall and panel thanks to the special shape of the fixing holes.



Description	Product Code	Unit of Sale
Angle Bracket	KP552	Each

### Screws for Angle Bracket (Glass to Wall)

Consisting of turned articles and screws in stainless steel AISI 316L to fix the angle bracket between glass and wall.



#### Description

Screws for Angle Bracket - Glass to Wall

#### Product Code

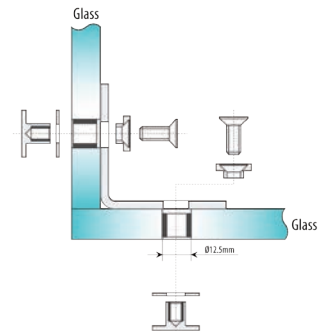
KP552A

#### Unit of Sale

Each

### Screws for Angle Bracket (Glass to Glass)

Consisting of turned articles and screws in stainless steel AISI 316L to fix the angle bracket with L-junction between glass and glass.



#### Description

Screws for Angle Bracket - Glass to Glass

#### Product Code

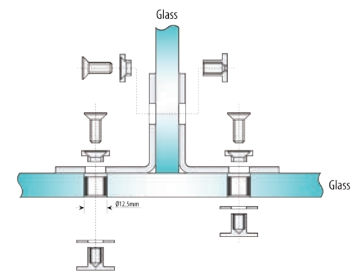
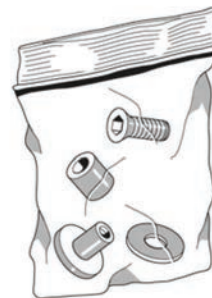
KP552B

#### Unit of Sale

Each

### Screws for T Junction (Glass to Glass)

Consisting of turned articles and screws in stainless steel AISI 316L to fix the angle bracket with T-junction between glass and glass.



#### Description

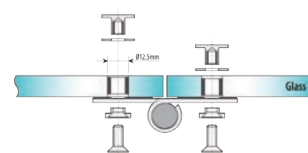
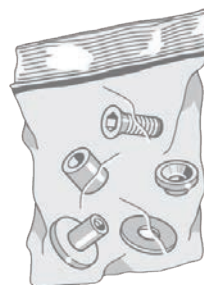
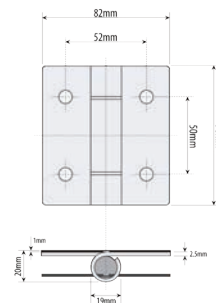
Screws for T Junction - Glass to Glass

#### Product Code

KP552C

#### Unit of Sale

Each



### Hinge

Made entirely of stainless steel AISI 316L. Fitting kit included, consisting of turned articles and screws in stainless steel AISI 316L to fix the hinge to the glass.

#### Description

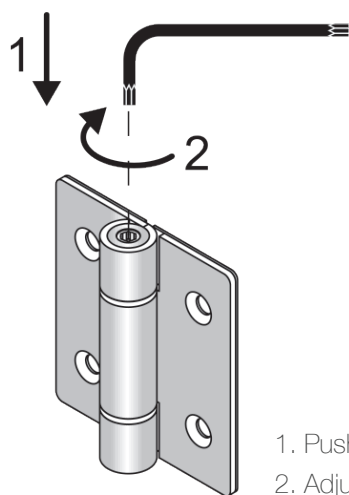
Hinge

#### Product Code

KP553

#### Unit of Sale

Each



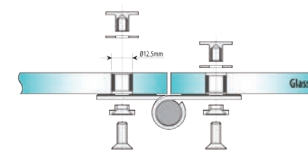
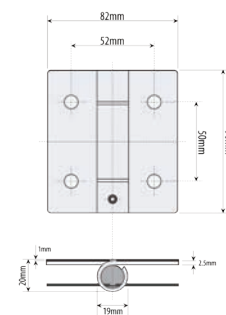
1. Push
2. Adjust

### Self Closing Hinge

Constructed of stainless steel AISI 316L. It is equipped with an adjustable spring that allows the adjustment of the door closing speed. Angle of movement 180 degrees. Fitting kit included, consisting of turned articles and screws in stainless steel AISI 316L to fix the hinge to the glass.

#### Description

Self Closing Hinge



#### Product Code

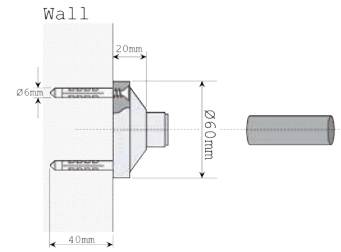
KP554CN

#### Unit of Sale

Each

## Wall Fixing Rose

Made in stainless steel AISI 316L and from a die-cast alloy expanding plug for connection to the tube.



### Description

Wall Fixing Rose

### Product Code

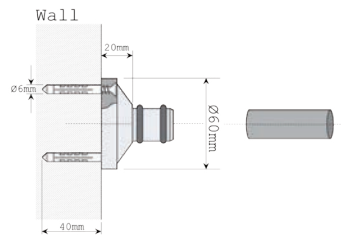
KP555

### Unit of Sale

Each

## Adjustable Wall Fixing Rose

Made in stainless steel AISI 316L and from a central pin allowing the recovery of the wall faults.



### Description

Adjustable Wall Fixing Rose

### Product Code

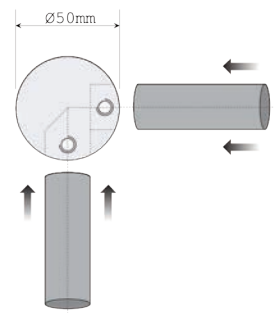
KP555S

### Unit of Sale

Each

## 90° Upper Joint

The joint is made of stainless steel AISI 303. Allowing the quick junction at 90 degrees of two tubes.



### Description

90 Degree Upper Joint

### Product Code

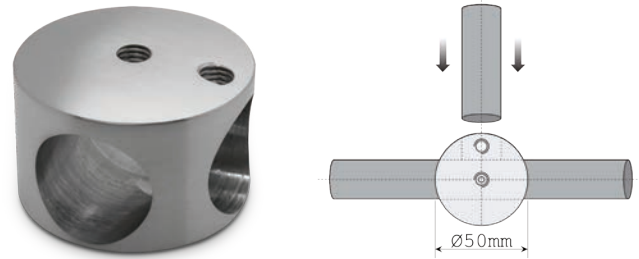
KP556

### Unit of Sale

Each

### Upper T Joint

The joint is made of stainless steel AISI 303 allowing a quick T-junction of two tubes.



**Description**

Upper T Joint

**Product Code**

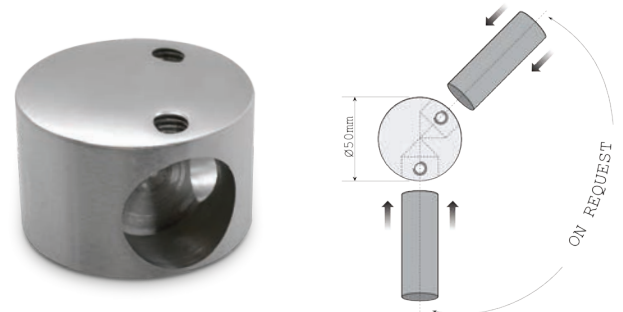
KP561

**Unit of Sale**

Each

### Universal Upper Joint

The joint is made of stainless steel AISI 303. Allowing the quick junction at the required angle. Can be manufactured to meet the installation requirements.



**Description**

Universal Upper Joint

**Product Code**

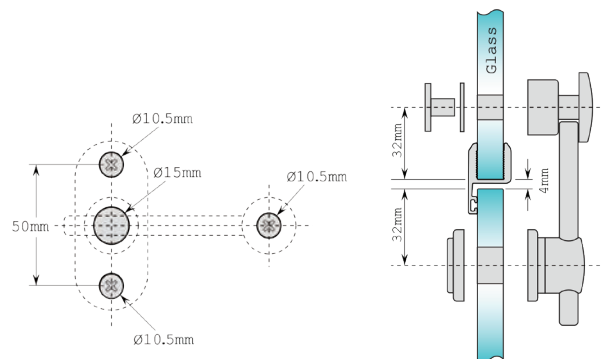
KP557

**Unit of Sale**

Each

### Snib Indicator

The snib indicator is constituted by a rotating handle that, in closing position is set in a locking device. On the external side the article is equipped with a vacant/engaged indicator. The components are made of stainless steel AISI 316L and stainless steel AISI 303.



**Description**

Snib Indicator

**Product Code**

KP558

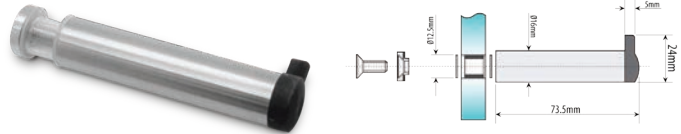
**Unit of Sale**

Each



## Door Stop Hook

The doorstop-hook is made of stainless steel AISI 316L with rubber doorstop.



### Description

Door Stop Hook

### Product Code

KP562

### Unit of Sale

Each

## Tube Connector

The joint is constructed from two die-cast expanding plugs, a threaded rod in galvanised steel and a centring ring.



### Description

Tube Connector

### Product Code

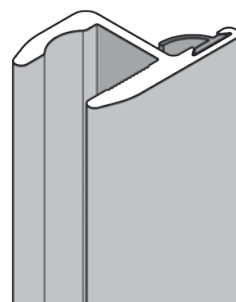
KP563

### Unit of Sale

Each

## Door Ledge Profile

An aluminium profile supplied in bars of 2m to be used as door leaf. The profile is supplied varnished grey (RAL 7021).



### Description

Door Ledge Profile

### Glass Thickness

12.5mm

### Finish

RAL 7021 (GREY)

### Product Code

KP590

### Unit of Sale

2000mm

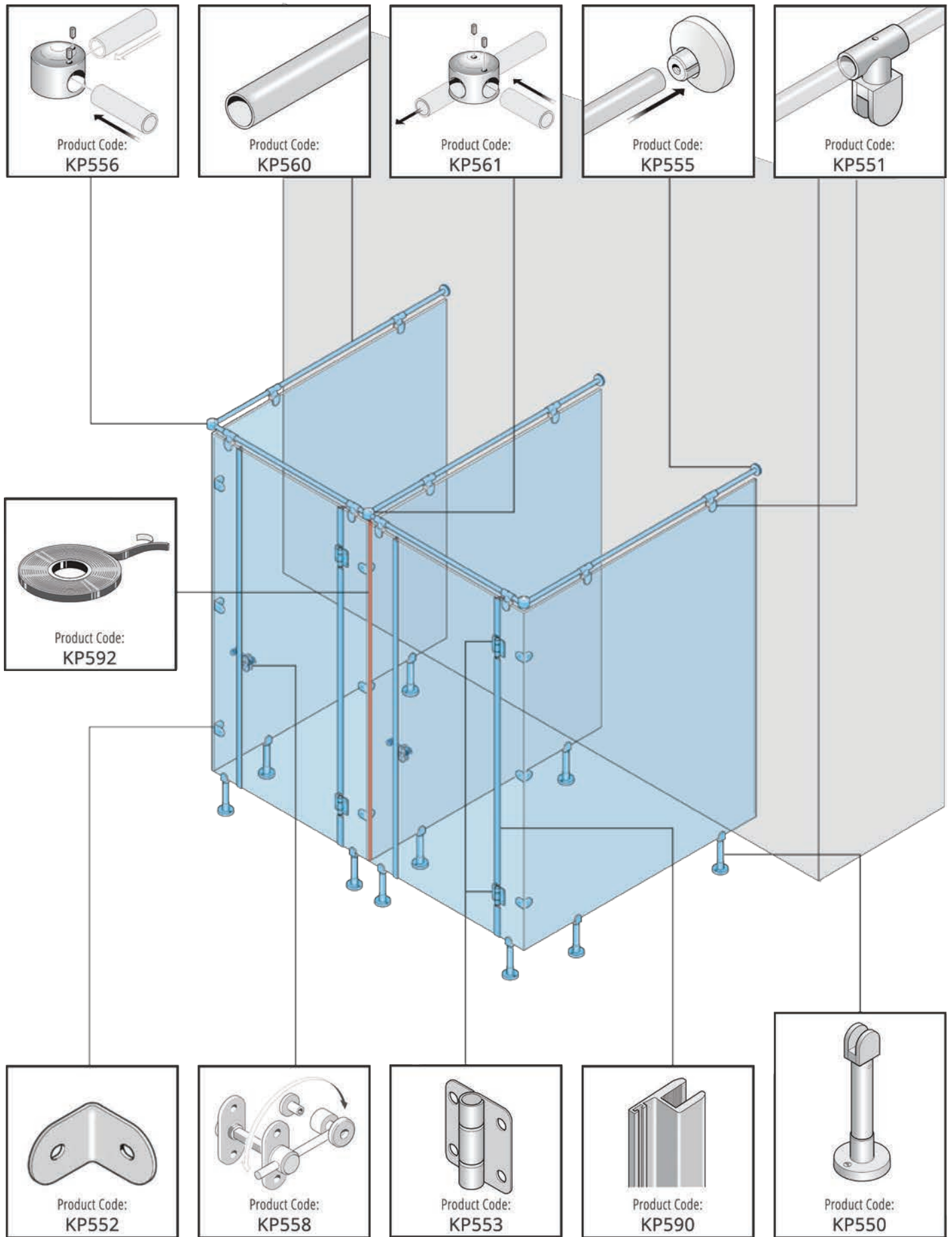
Door Ledge Profile

10mm

RAL 7021 (GREY)

KP590A

2000mm





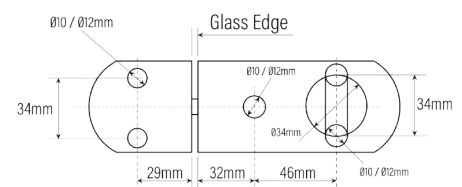
### Single Action Indicator Lock

Suitable for 8mm to 12mm thick glass. For use with the Single Action Indicator Lock Receiver - JIDL52K.

Description	Finish	Code	Unit of Sale
Single Action Indicator Lock	Satin Stainless Steel	JIDL52	Each
Single Action Indicator Lock	Polished Stainless Steel	JIDL52PSS	Each

### Single Action Indicator Lock Receiver

Suitable for 8mm to 12mm thick glass. For use with the Single Action Indicator Lock - JIDL52.



Description	Finish	Code	Unit of Sale
Single Action Indicator Lock Receiver	Satin Stainless Steel	JIDL52K	Each
Single Action Indicator Lock Receiver	Polished Stainless Steel	JIDL52KPSS	Each



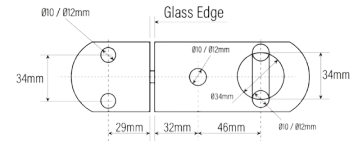
### Double Action Indicator Lock

Suitable for 8mm to 12mm thick glass. For use with the Double Action Indicator Lock Receiver - JIDL52LK.

Description	Finish	Code	Unit of Sale
Double Action Indicator Lock	Satin Stainless Steel	JIDL52L	Each
Double Action Indicator Lock	Polished Stainless Steel	JIDL52LPSS	Each

### Double Action Indicator Lock Receiver

Suitable for 8mm to 12mm thick glass. For use with the Double Action Indicator Lock - JIDL52L.

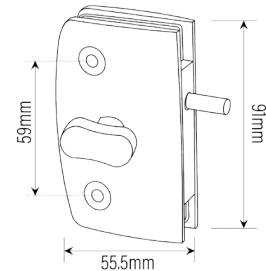
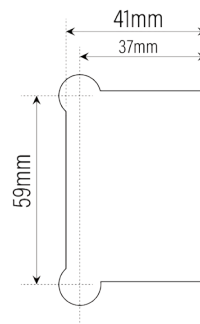


Description	Finish	Code	Unit of Sale
Double Action Indicator Lock Receiver	Satin Stainless Steel	JIDL52LK	Each
Double Action Indicator Lock Receiver	Polished Stainless Steel	JIDL52LKPSS	Each

Internal View



External View



### Glass to Wall Indicator Lock & Receiver

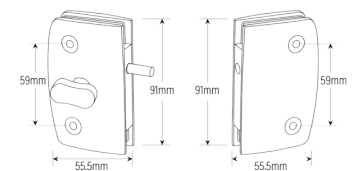
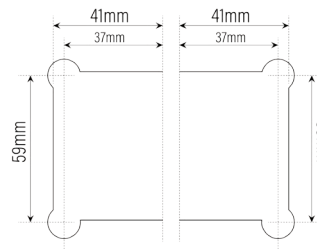
Suitable for 8mm to 12mm thick glass. For glass to wall applications. Available in a chrome or satin stainless finish.

Description	Finish	Code	Unit of Sale
Glass to Wall Indicator Lock & Receiver	Chrome	JIDL700CCH	Each
Glass to Wall Indicator Lock & Receiver	Satin Stainless	JIDL700CSS	Each

Internal View



External View



### Glass to Glass Indicator Lock & Receiver

Suitable for 8mm to 12mm thick glass. For glass to glass applications. Available in a chrome or satin stainless finish.

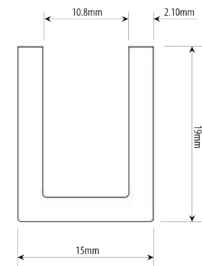
Description	Finish	Code	Unit of Sale
Glass to Glass Indicator Lock & Receiver	Chrome	JIDL701CCH	Each
Glass to Glass Indicator Lock & Receiver	Satin Stainless	JIDL701CSS	Each



# U Profiles & Trims

### 15mm U Channel for 10mm Glass

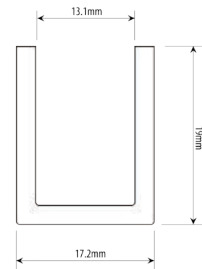
The most popular U channel for bespoke shower enclosures. Suitable for 10mm thick glass and available in four different finishes. The depth of the channel is ideal for disguising any discrepancy in the plumbness of the wall, allowing for the glass to be cut straight. The glass is generally held in the profile by silicone or similar adhesive.



Description	Finish	Code	Unit of Sale
15mm U Channel for 10mm Glass	Polished Silver	G7013	2.41 Metre
15mm U Channel for 10mm Glass	Polished Gold	G7014	2.41 Metre
15mm U Channel for 10mm Glass	Brushed Nickel	G7013BN	2.41 Metre
15mm U Channel for 10mm Glass	Matte Black	G7013BL	2.41 Metre
15mm U Channel for 10mm Glass	Polished Silver	G7013A	3.66 Metre

### 17mm U Channel for 12mm Glass

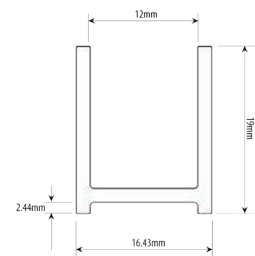
Suitable for 12mm thick glass and available in three different finishes. The depth of the channel is ideal for disguising any discrepancy in the plumbness of the wall, allowing for the glass to be cut straight. The glass is generally held in the profile by silicone or similar adhesive.



Description	Finish	Code	Unit of Sale
17mm U Channel for 12mm Glass	Polished Silver	G7015	2.41 Metre
17mm U Channel for 12mm Glass	Matte Black	G7015BL	2.41 Metre
17mm U Channel for 12mm Glass	Polished Gold	G7016	2.41 Metre

### Dry Glaze U Channel For 8-10mm Glass

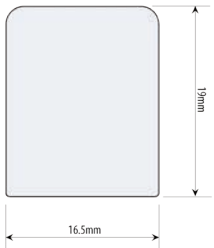
Suitable for use with 10mm or 8mm thick glass if used as a dry glaze system. Supplied as standard with gasket for 10mm thick glass, the gasket for 8mm glass is an optional extra which can be found on the next page.



Description	Finish	Code	Unit of Sale
16.4mm U Channel for 8 - 10mm Glass	Polished Silver	G7017	2.41 Metre
16.4mm U Channel for 8 - 10mm Glass	Polished Gold	G7018	2.41 Metre

**End Caps Suitable For G7017 & G7018**

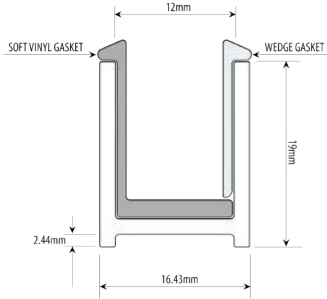
Suitable for use with the 16.4mm U Channel only.  
Creates a safe clean finish to the channel.



Description	Finish	Code	Unit of Sale
15mm End Cap for 16.4mm U Channel	Polished Silver	G7019	Each
15mm End Cap for 16.4mm U Channel	Polished Gold	G7020	Each

**Wedge Gasket Suitable For G7017 & G7018**

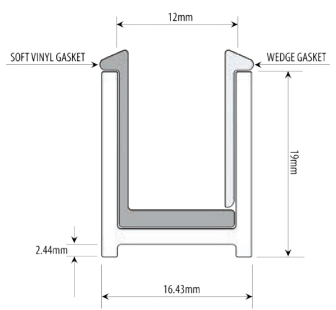
Suitable for use with the 16.4mm U Channel only.



Description	Glass Thickness	Code	Unit of Sale
Wedge gasket for use with 10mm thick glass in G7017 & G7018	10mm Glass	G7022	2.41 Metre
Wedge gasket for use with 8mm thick glass in G7017 & G7018	8mm Glass	G7022A	2.41 Metre

**Soft Vinyl Gasket Suitable For G7017 & G7018**

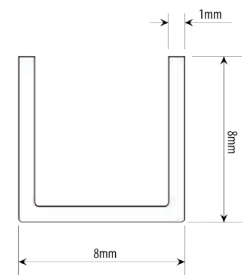
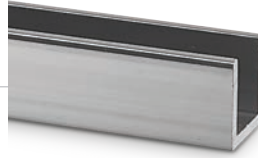
Suitable for use with the 16.4mm U Channel only.



Description	Code	Unit of Sale
Soft vinyl gasket for use with 10mm thick glass in G7017 & G7018	G7021	2.41 Metre
Soft vinyl gasket for use with 8mm thick glass in G7017 & G7018	G7021A	2.41 Metre

### 8mm x 8mm U Channel

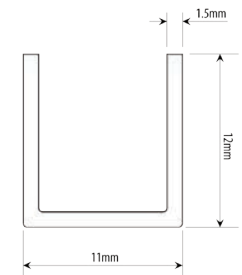
This aluminium u channel is supplied in an anodised finish only and is suitable for material up to a maximum of 6mm thick. The material is normally fixed in the u channel by silicone or similar adhesive suitable for use with the material. Supplied in 5 metre lengths but may have to be cut below 3 metres for delivery in certain areas.



Description	Groove	Finish	Code	Unit of Sale
8mm x 8mm U Channel	6mm	Anodised Aluminium	G70008238	5 Metre

### 11mm x 12mm U Channel

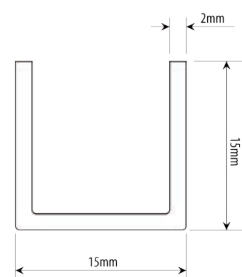
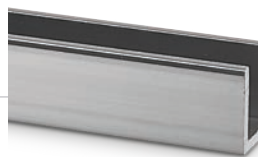
This aluminium u channel is supplied in an anodised finish only and is suitable for material up to a maximum of 8mm thick. The material is normally fixed in the u channel by silicone or similar adhesive suitable for use with the material. Supplied in 5 metre lengths but may have to be cut below 3 metres for delivery in certain areas.



Description	Groove	Finish	Code	Unit of Sale
11mm x 12mm U Channel	8mm	Anodised Aluminium	G70011238	5 Metre

### 15mm x 15mm U Channel

This aluminium u channel is supplied in three different finishes and is suitable for material up to a maximum of 11mm thick. The material is normally fixed in the u channel by silicone or similar adhesive suitable for use with the material. Supplied in 5 metre lengths but may have to be cut below 3 metres for delivery in certain areas.

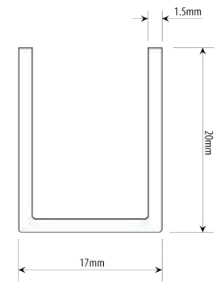


Description	Groove	Finish	Code	Unit of Sale
15mm x 15mm U Channel	11mm	Anodised Aluminium	G70015238	5 Metre
15mm x 15mm U Channel	11mm	Alinox (SS Effect)	G70015257	5 Metre
15mm x 15mm U Channel	11mm	Satin Stainless Steel	G70015555	5 Metre



### 17mm x 20mm U Channel

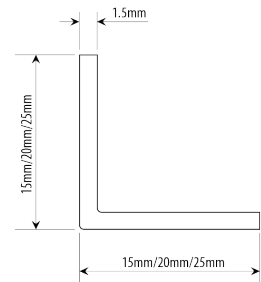
This aluminium u channel is supplied in two different finishes and is suitable for material up to a maximum of 14mm thick. The material is normally fixed in the u channel by silicone or similar adhesive suitable for use with the material. Supplied in 5 metre lengths but may have to be cut below 3 metres for delivery in certain areas.



Description	Groove	Finish	Product Code	Unit of Sale
17mm x 20mm U Channel	14mm	Anodised Aluminium	G70017238	5 Metre
17mm x 20mm U Channel	14mm	Alinox (SS Effect)	G70017257	5 Metre

### Right Angle Profile

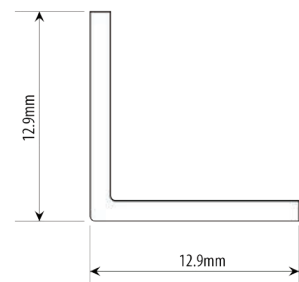
Designed for mirror wall installations and other applications. Angle extrusions can be used as inside and outside corners.



Description	Finish	Product Code	Unit of Sale
15mm x 15mm Right Angle	Anodised Aluminium	G70115238	5 Metre
15mm x 15mm Right Angle	Alinox (SS Effect)	G70115257	5 Metre
20mm x 20mm Right Angle	Anodised Aluminium	G70120238	5 Metre
20mm x 20mm Right Angle	Alinox (SS Effect)	G70120257	5 Metre
25mm x 25mm Right Angle	Anodised Aluminium	G70125238	5 Metre
25mm x 25mm Right Angle	Alinox (SS Effect)	G70125257	5 Metre

### 13mm x 13mm Right Angle

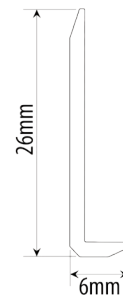
Designed for mirror wall installations and other applications. Angle extrusions can be used as inside and outside corners.



Description	Finish	Product Code	Unit of Sale
13mm x 13mm Right Angle	Polished Aluminium	G0042	3.7 Metre

### 25mm x 6mm Right Angle L Bar

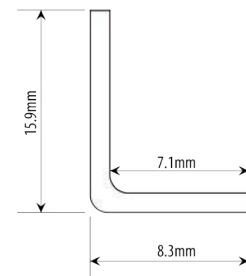
This L-Bar is an all purpose extrusion. Use it as an edge protector on complete mirror door installations, or on wall mirrors where a lower lip is not required. Also good as an edge protector for glass tops.



Description	Finish	Product Code	Unit of Sale
25mm x 6mm Right Angle L Bar	Polished Aluminium	G0043	3.7 Metre

### 16mm x 8mm Right Angle

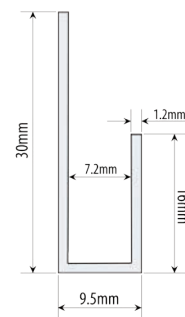
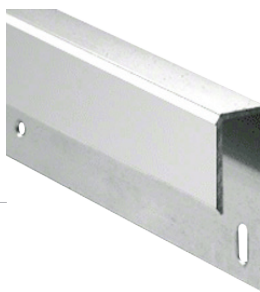
This can be used as an L-Bar or J-Channel. It is extremely versatile for use in most mirror installations. Each piece is individually poly-wrapped.



Description	Finish	Product Code	Unit of Sale
16mm x 8mm Right Angle	Polished Aluminium	G0045	3.7 Metre
16mm x 8mm Right Angle	Brushed Nickel	G0045BN	3.7 Metre

### J Profile

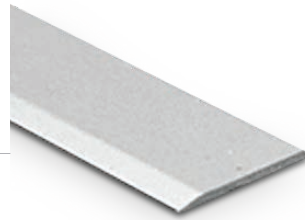
Providing top and bottom fixing for mirrors.



Description	Finish	Product Code	Unit of Sale
J Profile	Polished Aluminium	G0028	3.66 Metre
J Profile	Brushed Nickel	G0028BN	3.66 Metre

### 16mm Face Trim

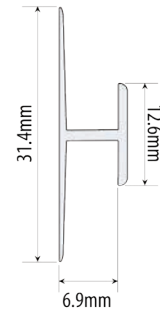
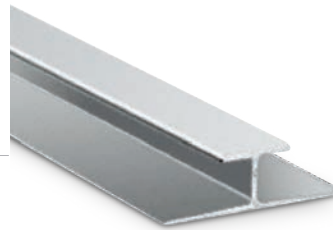
Applied with a 1mm double adhesive tape or glued.



Description	Finish	Product Code	Unit of Sale
16mm Face Trim	Polished Chrome	G0027	3.7 Metres
16mm Face Trim	Brushed Nickel	G0027BN	3.7 Metres

### T Trim

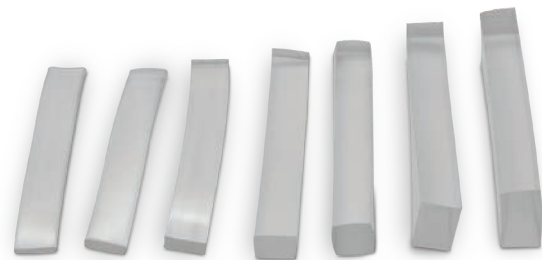
Suitable for the joining of two mirrors side by side.



Description	Finish	Product Code	Unit of Sale
T Trim	Chrome Plated	G0033	3.7 Metre

### Transparent Flat Packers

For use as setting or distance blocks when glazing in channels such as showers, mirrors etc. Each packer is 6mm wide and 50mm long. With a selection of thicknesses ranging from 1mm up to 10mm.



Description	Product Code	Unit of Sale
Transparent Flat Packers 1mm x 6mm x 50mm	ETFP001	100
Transparent Flat Packers 2mm x 6mm x 50mm	ETFP002	100
Transparent Flat Packers 3mm x 6mm x 50mm	ETFP003	100
Transparent Flat Packers 4mm x 6mm x 50mm	ETFP004	100
Transparent Flat Packers 6mm x 6mm x 50mm	ETFP006	100
Transparent Flat Packers 8mm x 6mm x 50mm	ETFP008	100
Transparent Flat Packers 10mm x 6mm x 50mm	ETFP010	100

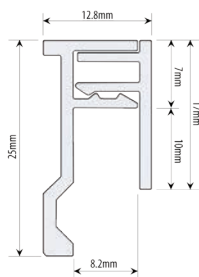
### J Trim, Snap on J Trim & Snap on T Trim

Easy installation for panels and mirrors. Suitable for use with 6mm mirror. Ideally suited for larger mirror installations such as gyms, dance studios, fitting rooms etc. Using this system ensures that the mirror or panel is securely fixed without the need to shuffle glaze or drill the glass.

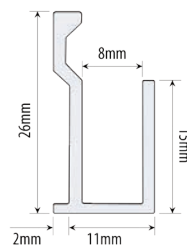
The system is comprised of three profile types, G0031 which is the standard J shaped profile which is normally used at the top of the panel, G0030 which is the “snap” on profile and normally used at the sides and bottom. For horizontal or vertical joints the G0031A “snap” on T Trim can be used, this allows for uniform joints and also can cover any discrepancies in the joints.



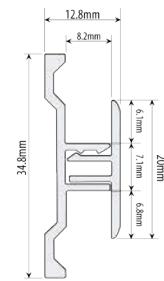
Description	Finish	Product Code	Unit of Sale
Snap On J Trim	Anodised Aluminium	G0030	5 Metre
J Trim	Anodised Aluminium	G0031	5 Metre
Snap On T Trim	Anodised Aluminium	G0031A	5 Metre



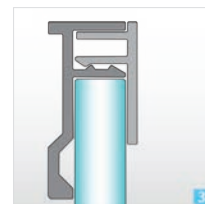
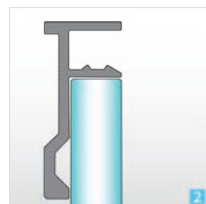
G0030 - Snap On J Trim



G0031 - J Trim



G0031A - Snap On T Trim



G0030 - Snap On J Trim Installation Steps



# Mirror Fixing and Installation

## Geocel Trade Mate Mirror Adhesive

Trade Mate Mirror Fix is a one-part silicone sealant for internal fixation of mirrors, coated glass or metal panels onto various substrates.

- Non-corrosive, odourless, ready to use gun grade sealant which reacts with air moisture.
- Excellent unprimed adhesion on most glasses, metals and mirror coatings.
- Outstanding resistance to heat and humidity.
- Resistant to ozone, ultra-violet radiation and temperature extremes.

### Technical Data:

Cure System: Neutral

Storage Life: When stored in cool, dry conditions below 30°C, this product has a usable life of 12 months from date of manufacture in the original unopened 310ml cartridges.

Colour : White

Service: -50°C to 100°C Temperature Specific Gravity: 1.43

Working Time: 29 minutes

Hardness: 38 Shore A

### Application

The sealant is ready to use. Apply 10mm wide strips vertically on the back of the mirror in 100mm intervals. Then press the mirror onto the surface, preserving a constant bead thickness of 2mm for optimum cure and mechanical grab. Support the mirror for a minimum of 24 hours using adhesive tapes. This will ensure good contact and a minimum of displacement. Air should be allowed to circulate freely around the edges of the mirror thereby allowing the sealant to cure.

Description	Product Code	Unit of Sale
Geocel Trade Mate Mirror Adhesive	NGEOMIR	Box of 12

## Gunther Mirror Mastic

A high-quality adhesive formulated to provide a strong, permanent bond between electro-copper-plated glass, mirror and various substrates. Has been field tested for compatibility with silver, copper and mirror backing.

Description	Product Code	Unit of Sale
Gunther Mirror Mastic	N0001	Each





## Double Adhesive Pad

For use in all high shear, high temperature situations. With a dimension of 25mm x 25mm. Available in 1mm, 2mm and 3mm thick pads. Generally used to temporarily hold the mirror while the adhesive cures.

Description	Size	Code	Unit of Sale
Double Adhesive Pad	1mm	H0187	Roll
Double Adhesive Pad	2mm	H0188	Roll
Double Adhesive Pad	3mm	H0189	Roll



## Double Adhesive Tape

High performance double sided tape used for commercial vehicle applications, timber georgian bars, high shear trim & assembly work plus many other applications. Available in 1mm, 2mm and 3mm thick. Generally used to temporarily hold the mirror while the adhesive cures.

Description	Finish	Code	Unit of Sale
Double Adhesive Tape	1mm	H0190	50 Metre Roll
Double Adhesive Tape	2mm	H0191	40 Metre Roll
Double Adhesive Tape	3mm	H0192	25 Metre Roll

### Mirror Fix Clips

Top-quality chrome on brass with polished lip. The raised groove gives better cushioning and greater friction-grip. Set consists of 2 fixed clips, 2 sliding (adjustable) clips. Each with screws and washers.



Description	Size	Finish	Product Code	Unit of Sale
Mirror Fix Clips	4mm	Chrome	H0051	Each
Mirror Fix Clips	4mm	Gold	H0053	Each
Mirror Fix Clips	6mm	Chrome	H0052	Each
Mirror Fix Clips	6mm	Gold	H0054	Each

### Klik-Klak Mirror Fix Clips

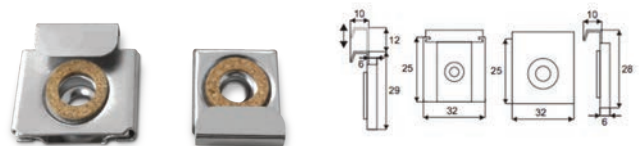
A superbly moulded, all plastic mirror fixing system. Supplied as a set of 4 clips, comprising 2 slide locking top clips and 2 strong base clips. Suitable for 4mm to 6mm thick mirrors.



Description	Product Code	Unit of Sale
Klik-Klak Mirror Fix Clips	H0055	Set of 4

### Spring Loaded Mirror Clips

A fast and secure way to hang mirrors. Made of nickel plated steel. Unique spring loaded top clips.

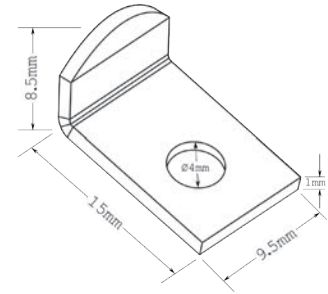


Description	Product Code	Unit of Sale
Spring Loaded Mirror Clips (Metal)	H0214	Each



### Mirror Edge Fix Clips

L shaped mirror clip for 6mm thick glass, with a 3mm countersunk fixing hole. Suitable for hanging mirrors/frames etc.



**Description**

Mirror Edge Fix Clips

**Product Code**

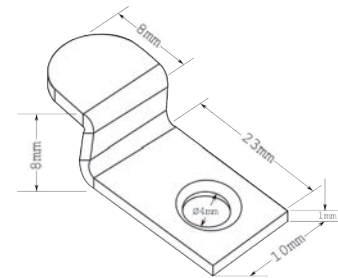
H0069

**Unit of Sale**

Each

### Mirror Surface Fix Clips

Z shaped mirror clip with a 12mm lip and 6mm return set for 6mm glass, with a 3mm countersunk fixing hole.



**Description**

Mirror Surface Fix Clips

**Product Code**

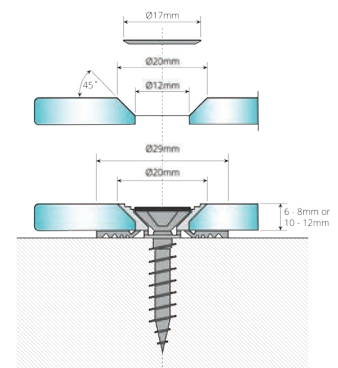
H0070

**Unit of Sale**

Each

### Easy-Fix CS Countersunk Glass Fixing

The smallest point fitting for the interior mounting of elements in glass of either 6 to 8mm or 10 to 12mm. They are made of high quality transparent plastic and covered with different visually appealing cover plates in nickel (Stainless Steel Like). The soft support plate keeps the element to be fastened at a distance to the substructure. Suitable for wall cladding, mirrors, glass signs, kitchen splash backs, furniture and sanitary facilities.



**Description**

Easy-Fix CS Countersunk Glass Fixing

**Glass Thickness**

6mm to 8mm

**Product Code**

H0329

**Unit of Sale**

Each

Easy-Fix CS Countersunk Glass Fixing

10mm to 12mm

H0330

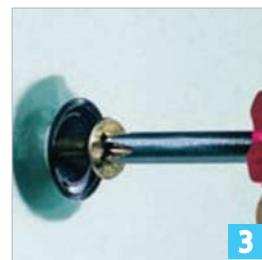
Each



1



2



3



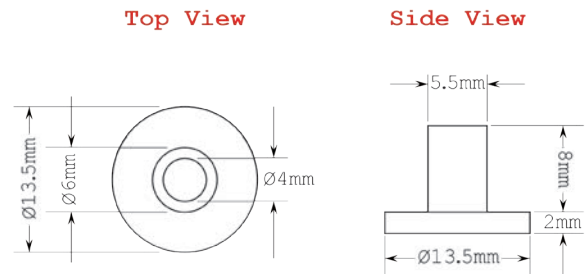
4

### Dome Head Mirror Screws

4.2mm diameter zinc screws supplied with a polished chrome on brass dome shaped cap.  
12mm diameter polished chrome finish.



Description	Diameter	Product Code	Unit of Sale
Dome Head Mirror Screws	12mm (1/2")	H0074	Box of 200
Dome Head Mirror Screws	20mm (3/4")	H0075	Box of 200
Dome Head Mirror Screws	25mm (1")	H0076	Box of 200
Dome Head Mirror Screws	30mm (1 1/4")	H0077	Box of 200
Dome Head Mirror Screws	40mm (1 1/2")	H0078	Box of 200
Dome Head Mirror Screws	50mm (2")	H0079	Box of 200
Dome Head Mirror Screws	60mm (2 1/2")	H0080	Box of 200
Dome Head Mirror Screws	70mm (2 3/4")	H0081	Box of 200



### Rubber Spacer Sleeves (Grommets)

Rubber grommets to use as a buffer between the screw thread and the face of the mirror. Available in black or clear rubber.

Description	Finish	Product Code	Unit of Sale
Rubber Spacer Sleeves (Grommets)	Black	H0084	Box of 200
Rubber Spacer Sleeves (Grommets)	Clear	H0084A	Box of 200

### Protective Sleeves

Rubber sleeves to use as a buffer between the screw thread and the face of the mirror.



Description	Product Code	Unit of Sale
Protective Sleeves	H0083	Box of 1000

## Flat Caps - Polished Chrome

Suitable for use with the Dome Head Mirror Screws  
(Product Codes H0074 - H0081).



Description	Diameter	Product Code	Unit of Sale
Flat Caps (Coverheads) - Polished Chrome	15mm	H0088	Box of 100
Flat Caps (Coverheads) - Polished Chrome	20mm	H0089	Box of 100
Flat Caps (Coverheads) - Polished Chrome	25mm	H0090	Box of 100

## Flat Caps - Brushed Stainless

Suitable for use with the Dome Head Mirror Screws  
(Product Codes H0074 - H0081).



Description	Diameter	Product Code	Unit of Sale
Flat Caps (Coverheads) - Brushed Stainless Steel	15mm	H0091	Box of 100
Flat Caps (Coverheads) - Brushed Stainless Steel	20mm	H0092	Box of 100
Flat Caps (Coverheads) - Brushed Stainless Steel	25mm	H0093	Box of 100

## Flat Caps - Polished Brass

Suitable for use with the Dome Head Mirror Screws  
(Product Codes H0074 - H0081).



Description	Diameter	Product Code	Unit of Sale
Flat Caps (Coverheads) - Polished Brass	15mm	H0094	Box of 100
Flat Caps (Coverheads) - Polished Brass	20mm	H0095	Box of 100
Flat Caps (Coverheads) - Polished Brass	25mm	H0096	Box of 100

### Flat Caps - Satin Brass

Suitable for use with the Dome Head Mirror Screws (Product Codes H0074 - H0081).



Description	Diameter	Product Code	Unit of Sale
Flat Caps (Coverheads) - Satin Brass	15mm	H0097	Box of 100
Flat Caps (Coverheads) - Satin Brass	20mm	H0098	Box of 100
Flat Caps (Coverheads) - Satin Brass	25mm	H0099	Box of 100

### Flat Caps - Copper & Lacquered

Suitable for use with the Dome Head Mirror Screws (Product Codes H0074 - H0081).



Description	Diameter	Product Code	Unit of Sale
Flat Caps (Coverheads) - Copper & Lacquered	15mm	H0100	Box of 100
Flat Caps (Coverheads) - Copper & Lacquered	20mm	H0101	Box of 100
Flat Caps (Coverheads) - Copper & Lacquered	25mm	H0102	Box of 100

## Dome Caps - Satin Chrome

Suitable for use with the Dome Head Mirror Screws  
(Product Codes H0074 - H0081).



Description	Diameter	Product Code	Unit of Sale
Dome Caps (Coverheads) - Satin Chrome	10mm	H0103	Box of 100
Dome Caps (Coverheads) - Satin Chrome	12mm	H0104	Box of 100
Dome Caps (Coverheads) - Satin Chrome	16mm	H0105	Box of 100

## Dome Caps - Satin Brass

Suitable for use with the Dome Head Mirror Screws  
(Product Codes H0074 - H0081).



Description	Diameter	Product Code	Unit of Sale
Dome Caps (Coverheads) - Satin Brass	10mm	H0106	Box of 100
Dome Caps (Coverheads) - Satin Brass	12mm	H0107	Box of 100
Dome Caps (Coverheads) - Satin Brass	16mm	H0108	Box of 100

## Dome Caps - Polished Brass

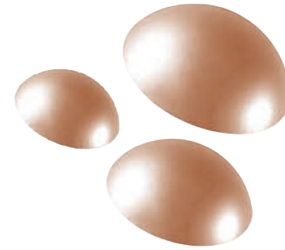
Suitable for use with the Dome Head Mirror Screws  
(Product Codes H0074 - H0081).



Description	Diameter	Product Code	Unit of Sale
Dome Caps (Coverheads) - Polished Brass	10mm	H0109	Box of 100
Dome Caps (Coverheads) - Polished Brass	12mm	H0110	Box of 100
Dome Caps (Coverheads) - Polished Brass	16mm	H0111	Box of 100

### Dome Caps - Copper & Lacquered

Suitable for use with the Dome Head Mirror Screws (Product Codes H0074 - H0081).



Description	Diameter	Product Code	Unit of Sale
Dome Caps (Coverheads) - Copper & Lacquered	12mm	H0113	Box of 100
Dome Caps (Coverheads) - Copper & Lacquered	16mm	H0114	Box of 100

### Dome Caps - Chrome Plated

Suitable for use with the Dome Head Mirror Screws (Product Codes H0074 - H0081).



Description	Diameter	Product Code	Unit of Sale
Dome Caps (Coverheads) - Chrome Plated	10mm	H0115	Box of 100
Dome Caps (Coverheads) - Chrome Plated	12mm	H0116	Box of 100
Dome Caps (Coverheads) - Chrome Plated	16mm	H0117	Box of 100

### Conical Caps - Chrome Plated

Suitable for use with the Dome Head Mirror Screws (Product Codes H0074 - H0081).



Description	Diameter	Product Code	Unit of Sale
Conical Caps (Coverheads) - Chrome Plated	14mm	H0118	Box of 100
Conical Caps (Coverheads) - Chrome Plated	17mm	H0119	Box of 100
Conical Caps (Coverheads) - Chrome Plated	20mm	H0120	Box of 100

## Mushroom Caps - Chrome Plated

Suitable for use with the Dome Head Mirror Screws (Product Codes H0074 - H0081).



Description	Diameter	Product Code	Unit of Sale
Mushroom Caps (Coverheads) - Chrome Plated	10mm	H0121	Box of 100
Mushroom Caps (Coverheads) - Chrome Plated	19mm	H0122	Box of 100
Mushroom Caps (Coverheads) - Chrome Plated	25mm	H0123	Box of 100
Mushroom Caps (Coverheads) - Chrome Plated	38mm	H0124	Box of 100

## Mushroom Caps - Satin Chrome

Suitable for use with the Dome Head Mirror Screws (Product Codes H0074 - H0081).



Description	Diameter	Product Code	Unit of Sale
Mushroom Caps (Coverheads) - Satin Chrome	10mm	H0125	Box of 100
Mushroom Caps (Coverheads) - Satin Chrome	19mm	H0126	Box of 100
Mushroom Caps (Coverheads) - Satin Chrome	25mm	H0127	Box of 100
Mushroom Caps (Coverheads) - Satin Chrome	38mm	H0128	Box of 100

## Mushroom Caps - Satin Brass

Suitable for use with the Dome Head Mirror Screws (Product Codes H0074 - H0081).



Description	Diameter	Product Code	Unit of Sale
Mushroom Caps (Coverheads) - Satin Brass	10mm	H0129	Box of 100
Mushroom Caps (Coverheads) - Satin Brass	19mm	H0130	Box of 100
Mushroom Caps (Coverheads) - Satin Brass	25mm	H0131	Box of 100
Mushroom Caps (Coverheads) - Satin Brass	38mm	H0132	Box of 100

### Mushroom Caps - Polished Brass

Suitable for use with the Dome Head Mirror Screws (Product Codes H0074 - H0081).



Description	Diameter	Product Code	Unit of Sale
Mushroom Caps (Coverheads) - Polished Brass	10mm	H0133	Box of 100
Mushroom Caps (Coverheads) - Polished Brass	19mm	H0134	Box of 100
Mushroom Caps (Coverheads) - Polished Brass	25mm	H0135	Box of 100
Mushroom Caps (Coverheads) - Polished Brass	38mm	H0136	Box of 100

### Mushroom Caps - Copper & Lacquered

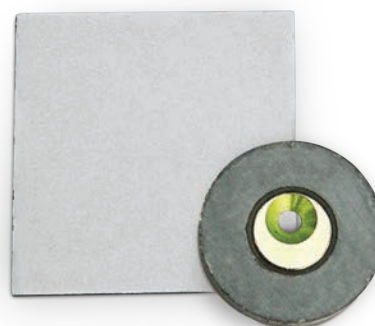
Suitable for use with the Dome Head Mirror Screws (Product Codes H0074 - H0081).



Description	Diameter	Product Code	Unit of Sale
Mushroom Caps (Coverheads) - Copper & Lacquered	10mm	H0137	Box of 100
Mushroom Caps (Coverheads) - Copper & Lacquered	19mm	H0138	Box of 100
Mushroom Caps (Coverheads) - Copper & Lacquered	25mm	H0139	Box of 100
Mushroom Caps (Coverheads) - Copper & Lacquered	38mm	H0140	Box of 100

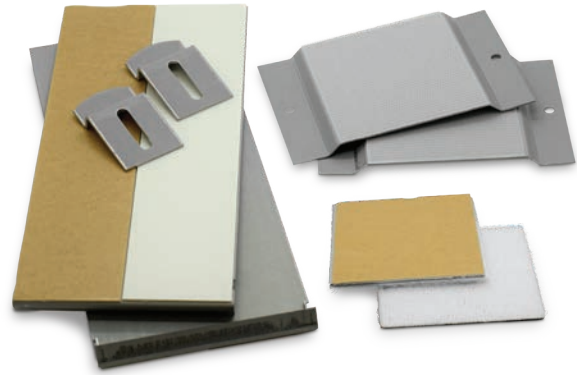
### Self Adhesive Magnet Mirror Fixing

Equipped with adhesive for high initial and final bond strength. After its mounting, the mirror can be removed and re-affixed without the use of tools.



Description	Product Code	Unit of Sale
Self Adhesive Steel Plate and Magnet Mirror Fixing	H0071	Each





## Mirror Fix Plus 1 - Self Adhesive Fixing Plates & Hooks - 25kg

Equipped with adhesive for high initial and final bond strength. The adhesive connection is for permanent mounting and the mirror bracket can also be used in rooms where it, from time to time, turns out higher humidity of air than usual, e.g. in bathrooms. After its mounting, the mirror can be removed and re-affixed without the use of tools. The velcro fastening system ensures that the mirror does not slide during mounting and even slight lateral or vertical corrections of mirror position are always possible. Sufficient for mirrors up to 1,6 m<sup>2</sup> size and 6 mm thickness (each 24 kg mirror weight). Each consists of 2 self adhesive mirror holders, 2 wall hooks, 2 velvet finish plates / distance holders with velcro surface.

### Description

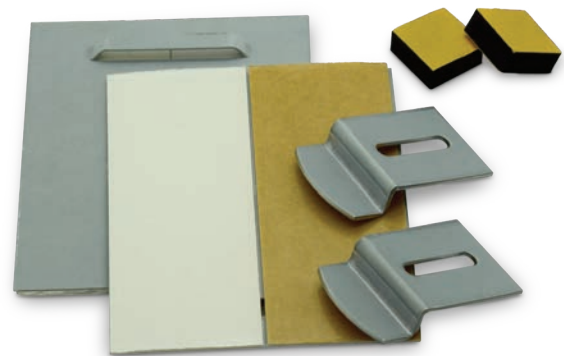
Self Adhesive Fixing Plates and Hooks - 24kg

### Product Code

H0072

### Unit of Sale

Each



## Mirror Fix Plus 2 - Self Adhesive Fixing Plates & Hooks - 12kg

Equipped with adhesive for high initial and final bond strength. The adhesive connection is for permanent mounting and the mirror bracket can also be used in rooms where it, from time to time, turns out higher humidity of air than usual, e.g. in bathrooms. After its mounting, the mirror can be removed and re-affixed without the use of tools. The velcro fastening system ensures that the mirror does not slide during mounting and even slight lateral or vertical corrections of mirror position are always possible. Sufficient for mirrors up to 0,8 m<sup>2</sup> size and 6mm thick (each 12kg mirror weight). Each set includes 2 self adhesive mirror holders, 2 wall hooks and 2 self adhesive foam distance holders.

### Description

Self Adhesive Fixing Plates and Hooks - 12kg

### Product Code

H0073

### Unit of Sale

Each



### Clear Safety Back Film

60 micron clear safety backing film, is a high tack bi-axially orientated polypropylene film, which is fully tested to BS EN 12600 and class 2B2 for frontal impact. For use on all sizes of mirror and can be applied by automatic laminator or manually.

Description	Product Code	Unit of Sale
Clear Safety Back Film - 300mm x 100m x 60 micron	D0031	Roll
Clear Safety Back Film - 600mm x 100m x 60 micron	D0032	Roll



### White Safety Back Film

60 micron white safety backing film, is a high tack bi-axially orientated polypropylene film, which is fully tested to BS EN 12600 and class 2B2 for frontal impact. For use on all sizes of mirror and can be applied by automatic laminator or manually.

Description	Product Code	Unit of Sale
White Safety Back Film - 300mm x 100m x 60 micron	D0033	Roll
White Safety Back Film - 600mm x 100m x 60 micron	D0034	Roll



# Demista Heated Mirror Pads

**demista**<sup>TM</sup>  
Clearly Perfect



### Demista Anti Steam Heated Mirror Pad

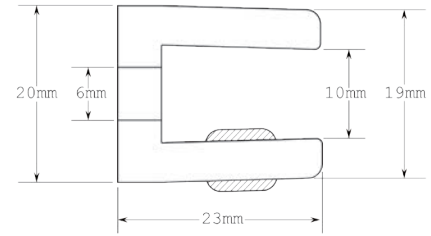
Steamed up bathroom mirrors were always accepted as an everyday problem that couldn't be solved, until the introduction of demista. No more blurred or smeary mirrors, just flick a switch and see your reflection crystal clear. Demista is an ingenious device that keeps mirrors free of condensation for ever. Simple to fit, low cost and economical to run. Completely safe, Maintenance free, Approved to international standards, 5 year warranty.

Description	Size	Product Code	Unit of Sale
Demista Anti Steam Heated Mirror Pad - 230V	150mm x 290mm	H7015L029	Each
Demista Anti Steam Heated Mirror Pad - 230V	300mm x 250mm	H7030L025	Each
Demista Anti Steam Heated Mirror Pad - 230V	300mm x 570mm	H7030L057	Each
Demista Anti Steam Heated Mirror Pad - 230V	500mm x 530mm	H7050L053	Each
Demista Anti Steam Heated Mirror Pad - 230V	500mm x 1050mm	H7050L105	Each
Demista Anti Steam Heated Mirror Pad - 230V	500mm x 1530mm	H7050L153	Each
Demista Anti Steam Heated Mirror Pad - 230V	600mm x 290mm	H7060L029	Each





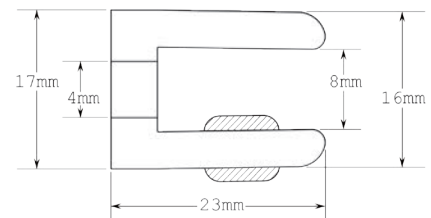
# Glass Shelving



### Round Shelf Support - 8 to 10mm Glass

Suitable for 8mm to 10mm thick glass.  
With a 6mm diameter hole through the base.

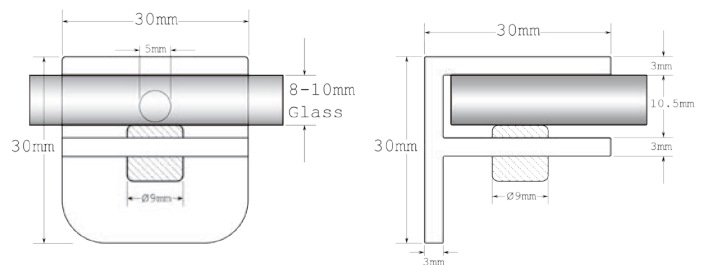
Description	Material	Finish	Product Code	Unit of Sale
Round Shelf Support for 8mm to 10mm thick glass	Zamak	Chrome	H0027	Pair
Round Shelf Support for 8mm to 10mm thick glass	Zamak	Gold	H0027A	Pair



### Round Shelf Support - 4 to 6mm Glass

Suitable for 4mm to 6mm thick glass.  
With a 4mm diameter hole through the base.

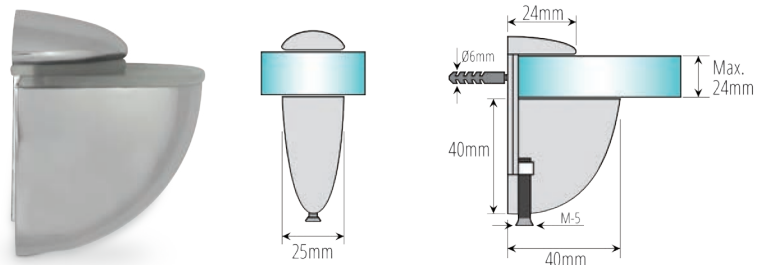
Description	Material	Finish	Product Code	Unit of Sale
Round Shelf Support for 4mm to 6mm thick glass	Zamak	Chrome	H0207	Pair
Round Shelf Support for 4mm to 6mm thick glass	Zamak	Gold	H0028	Pair



### F Type Shelf Support

Suitable for 8mm to 10mm thick glass.

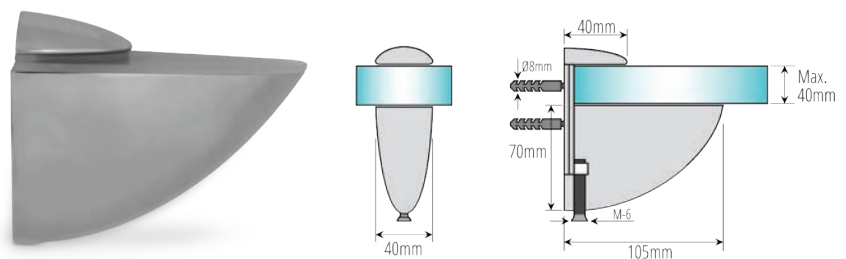
Description	Material	Glass Thickness	Finish	Product Code	Unit of Sale
F Type Shelf Support	Zamak	8mm to 10mm	Chrome	H0030	Pair



### Mini Shelf Grip - Up To 24mm Glass

Suitable for material from 3mm up to a maximum of 24mm. Distance between both shelf grips should not exceed 300mm. Maximum shelf depth of 200mm. Maximum load weight on brackets should not exceed 20kg.

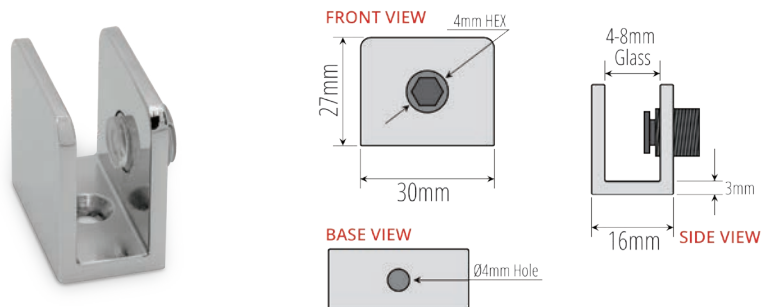
Description	Finish	Product Code	Unit of Sale
Mini Shelf Grip for up to 24mm thick glass	Chrome	H0029	Pair
Mini Shelf Grip for up to 24mm thick glass	Brass	H0208	Pair
Mini Shelf Grip for up to 24mm thick glass	White	H0209	Pair
Mini Shelf Grip for up to 24mm thick glass	Black	H0210	Pair



### Midi Shelf Grip - Up To 40mm Glass

Suitable for material from 3mm up to a maximum of 40mm. Distance between both shelf grips should not exceed 400mm. Maximum shelf depth of 350mm. Maximum load weight on brackets should not exceed 40kg.

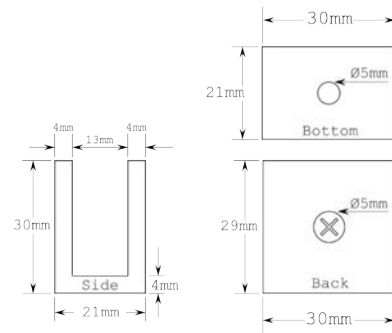
Description	Finish	Product Code	Unit of Sale
Mini Shelf Grip for up to 40mm thick glass	Chrome	H0029A	Pair



### Glass Shelf Support

Suitable for 4mm to 8mm thick glass.

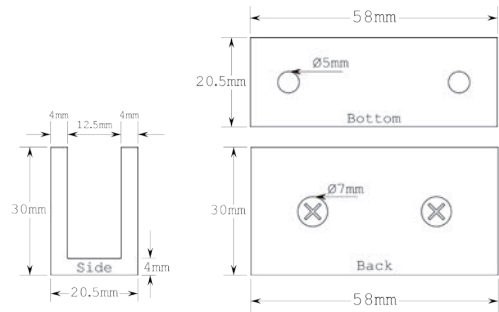
Description	Material	Finish	Product Code	Unit of Sale
Mini Shelf Grip for up to 40mm thick glass	Zamak	Chrome	H0032	Pair



### 30mm Shelf Support

Suitable for 8mm to 12mm thick glass.

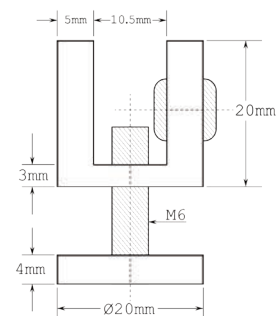
Description	Glass Thickness	Finish	Product Code	Unit of Sale
30mm Shelf Support	8mm to 12mm	Chrome	H0323	Pair



### 58mm Shelf Support

Suitable for 8mm to 12mm thick glass.

Description	Glass Thickness	Finish	Product Code	Unit of Sale
58mm Shelf Support	8mm to 12mm	Chrome	H0324	Pair



### U Type Single Shelf Support

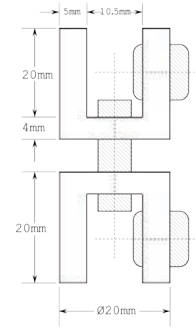
Suitable for 6mm to 10mm thick glass. Supplied in a polished chrome finish. Drill 10mm hole for mounting on side. Non Drill for mounting shelf.

Description	Glass Thickness	Finish	Product Code	Unit of Sale
U Type Single Shelf Support	6mm to 10mm	Chrome	H0325	Each



## U Type Double Shelf Support

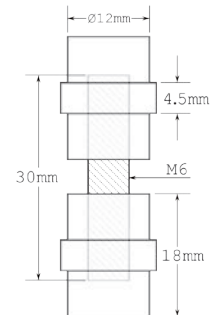
Suitable for 6mm to 10mm thick glass. Supplied in a polished chrome finish. Drill 10mm hole for mounting on side. Non Drill for mounting shelf.



Description	Glass Thickness	Finish	Product Code	Unit of Sale
U Type Double Shelf Support	6mm to 10mm	Chrome	H0326	Each

## Double Showcase Shelf Support

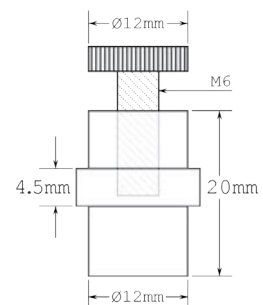
Suitable for 4mm to 8mm thick glass.  
6mm drill hole required in glass.



Description	Material	Glass Thickness	Product Code	Unit of Sale
Double Showcase Shelf Support	Zamak	4mm to 8mm	H0160	10 Pack

## Single Showcase Shelf Support

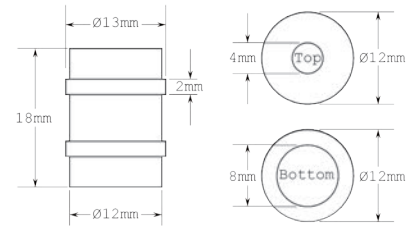
Suitable for 4mm to 8mm thick glass.  
6mm drill hole required in glass.



Description	Material	Glass Thickness	Product Code	Unit of Sale
Double Showcase Shelf Support	Zamak	4mm to 8mm	H0161	10 Pack

### Screw Type Shelf Support

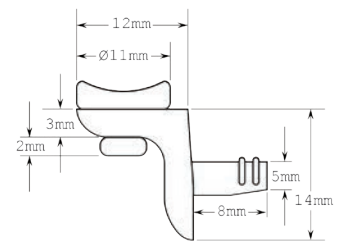
Glass shelf support for monitoring glass shelves in a timber cabinet.



Description	Finish	Product Code	Unit of Sale
Screw Type Shelf Support	Chrome	H0223	Each

### R/A Shelf Support with Suction

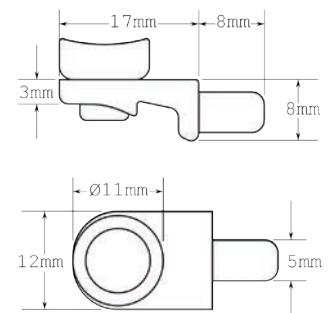
5mm drill hole required that is 9mm deep.



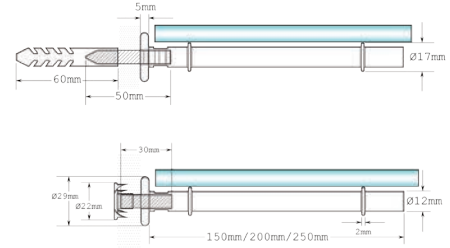
Description	Material	Product Code	Unit of Sale
R/A Shelf Support with Suction	Zamak	H0158	20 Pack

### Flat Shelf Support with Suction

5mm drill hole required that is 9mm deep.



Description	Material	Product Code	Unit of Sale
R/A Shelf Support with Suction	Zamak	H0159	20 Pack



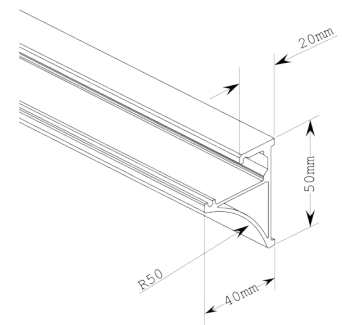
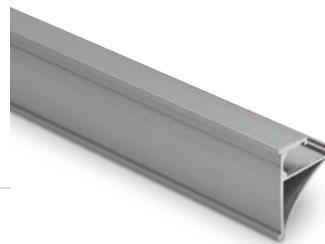
## Glass Shelf Support

12mm diameter glass shelf support, available in 150mm, 200mm and 250mm lengths.

Description	Product Code	Unit of Sale
150mm Glass Shelf Support	H0300	Pair
200mm Glass Shelf Support	H0301	Pair
250mm Glass Shelf Support	H0302	Pair

## Glass Shelf Profile

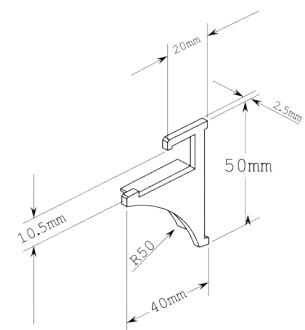
Suitable for 10mm thick toughened glass.  
Suitable for a maximum projection of 305mm.  
No drilling of the glass required.



Description	Glass Thickness	Finish	Product Code	Unit of Sale
Glass Shelf Profile	10mm	SS Effect	H20075257	2.5 Metres
Glass Shelf Profile	10mm	Bright Anodised	H20075238	2.5Metres

## Glass Shelf Profile End Caps

Supplied in pairs. For both the right or left hand side. Used with H20075238 and H20075257 Glass Shelf Profiles.  
Material: Grey Plastic.



Description	Finish	Product Code	Unit of Sale
Glass Shelf Profile End Caps	Grey Plastic	H20076649	Pair



Republic of Ireland (Head Office)

Phone: +353 505 45125

Fax: +353 505 45345

Web: [www.glassparts.ie](http://www.glassparts.ie)

Email: [sales@glassparts.ie](mailto:sales@glassparts.ie)

Address: Lisbunny Industrial Estate, Lisbunny, Nenagh, Co. Tipperary.

United Kingdom (Sales Office)

Phone: 0800 975 3436

Fax: +353 505 45345

Web: [www.glassparts.co.uk](http://www.glassparts.co.uk)

Email: [sales@glassparts.co.uk](mailto:sales@glassparts.co.uk)

Address: Kemp House, 152 City Road, London, EC1V 2NX